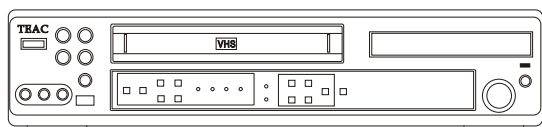


TEAC



SERVICE MANUAL

PL-D100V

VCR/DVD Home Theater System



NOTES

- PC board shown are viewed from parts side.
- The parts with no reference number or no parts number in the exploded views are not supplied.
- As regards the resistors and capacitors, refer to the circuit diagrams contained in this manual.
- ⚠ Parts marked with this sign are safety critical components. they must be replaced with identical components - refer to the appropriate parts list and ensure exact replacement.

CONTENTS

1 SAFETY INFORMATION	2
2 SPECIFICATIONS	3
3 ADJUSTMENT AND CHECKS	4
4 EXPLODED VIEW AND PARTS LIST	6
5 PC BOARDS AND PARTS LISTS	13
6 WIRING DIAGRAM	29
7 INCLUDED ACCESSORIES	31

PL-D100V

1 SAFETY INFORMATION

SAFETY INFORMATION

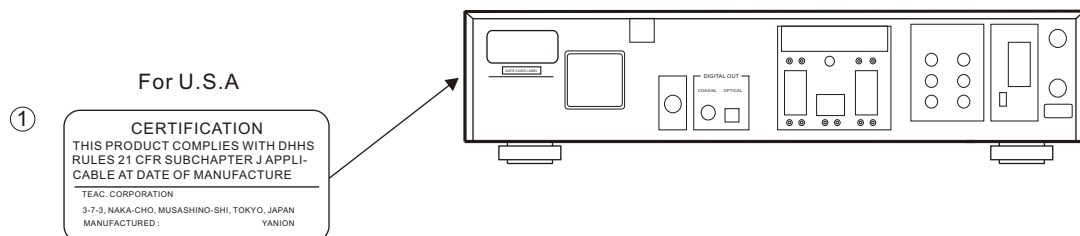
This product has been designed and manufactured according to FDA regulations "title 21, CFR, chapter 1, subchapter J, based on the Radiation Control for Health and Safety Act of 1968" and is classified as class 1 laser product. There is not hazardous invisible laser radiation during operation because invisible laser radiation emitted inside of this product is completely confined in the protective housings. The label required in this regulation is shown ①.

• **CAUTION**

USE OF CONTROLS OR ADJUSTMENT OR PERFORMANCE OF PROCEDURES OTHER THAN THOSE SPECIFIED HEREIN MAY RESULT IN HAZARDOUS RADIATION EXPOSURE.

DO NOT REMOVE THE PROTECTIVE HOUSING USING SCREWDRIVER.

IF THIS PRODUCT DEVELOPS TROUBLE, MAKE A CONTACT WITH OUR SERVICEMAN, AND DO NOT USE THE PRODUCT A TROUBLED STATE.



Optical pickup:

Type : CMS-S21MG6
Manufacturer : SamSung Electro-mechanics Co., Ltd.
Laser output : 5 mW (DVD)
10 mW (CD)
Wavelength : 640 - 660nm (DVD)
770 - 790nm (CD)

2 SPECIFICATIONS

DVD Player

Pickup :	Semiconductor laser, Wavelength 650 nm
Signal system :	NTSC / PAL
Audio frequency response :	31 Hz ~ 22 kHz
Video output level :	1 Vp-p 75 ohms
S-video output level :	Y: 1 Vp-p 75 ohms, C: 0.286 Vp-p 75 ohms

Tuner

System:	PLL quartz-locked digital Synthesizer system
Tuning range :	FM: 87.5 ~ 108.0 MHz AM: 530 ~ 1710 kHz
Antenna :	FM Dipole ant wire AM loop antenna

VCR

Tuning range :	
Ch.2 - B :	55.25 to 127.25 MHz
Ch.c - W+11 :	133.25 to 361.25 MHz
Ch.W+12 - UHF69 :	367.25 to 801.25 MHz
S/N ratio of video output :	
12 CH at ant input level 70dBu :	42dB
33 CH at ant input level 70dBu :	40dB
TV multichannel sound :	
Stereo separation :	45dB
Frequency response :	
Monaural :	100Hz to 10kHz (+/-5dB)
Stereo :	100Hz to 10kHz (+/-5dB)
SAP :	100Hz to 10kHz (+/-6dB)

Amplifier

Output power :	16W (FL,FR)
Total Harmonic distortion :	10 % (rated power / 1kHz)
Frequency response :	20 Hz ~ 20 kHz
Signal to noise ratio :	Over 55dB (CCIR)

General

Power requirements :	AC 120V , 60 Hz
Power consumption :	100 watts
Dimension (W x H x D):	(17-1/8 x 3-3/4 x 14-1/4) inches 435 x 97 x 364 mm
Weight:	7.27 kg (16 lb)
Supplied accessories :	AM loop antenna x 1 FM Dipole ant wire x 1 AV cable 1.5m coaxial x1 Batteries GP15G 1.5-(AA) size Remote Control (RC54-54)x 1

Speaker

Output load :	6 ohm Non-reactive x 5 Subwoofer 4 ohm x1
Subwoofer 4 ohm Unit :	
Dimension (W x H x D):	220 x 388 x 280mm (8-5/8 x 15-1/4 x 11) inches
Weight:	7.75 kg (17) lb
6 ohm Non-reactive Unit:	87 x 156 x 86 mm
Dimension (W x H x D):	(3-3/8 x 6-1/8 x 3-3/8) inches
Weight:	0.55 kg (1-1/4) lb

- Design and specifications are subject to change without notice.
- Weight and dimensions are approximate.
- Illustrations may differ slightly from production model.

PL-D100V

3 ADJUSTMENTS AND CHECKS

3-1 Adjustment and Test Points

TUNER PCB - TOP

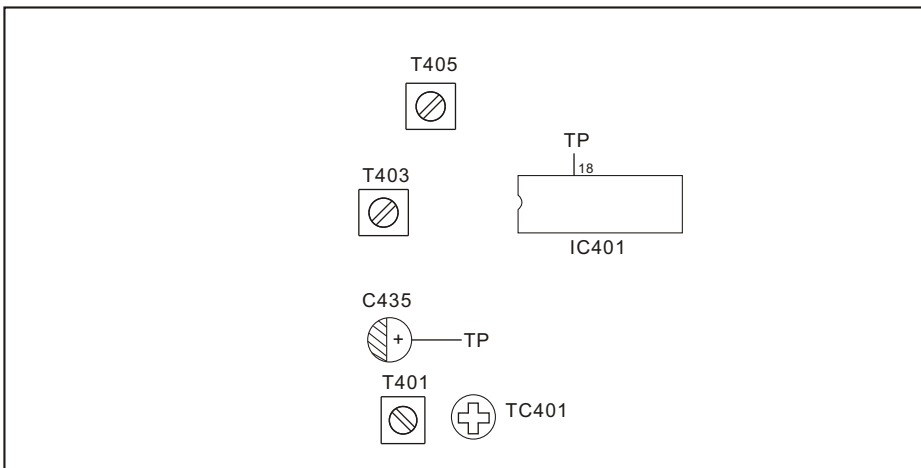


Fig. 3-1

3-2 Adjustment Procedure

ITEM	SIGNAL GENERATOR SETTING			PL-D100V	ADJUSTMENT POINTS	MEASURING POINTS, RESULT
	Audio	Modulation	Frequency			
1. VOLTAGE adjustment	400Hz	30%	531 KHz	531 KHz	T403	Test point-C435(⊕) 1.7V +/-0.05V
2. IFT adjustment	400Hz	30%	603KHz	450KHz	T405	Maximum output level
3. ANT coil adjustment	400Hz	30%	603KHz	603KHz	T401	Maximum output level
4. TC401 adjustment	400Hz	30%	1404KHz	1404KHz	TC401 Repeat step 3 and 4	Maximum output level

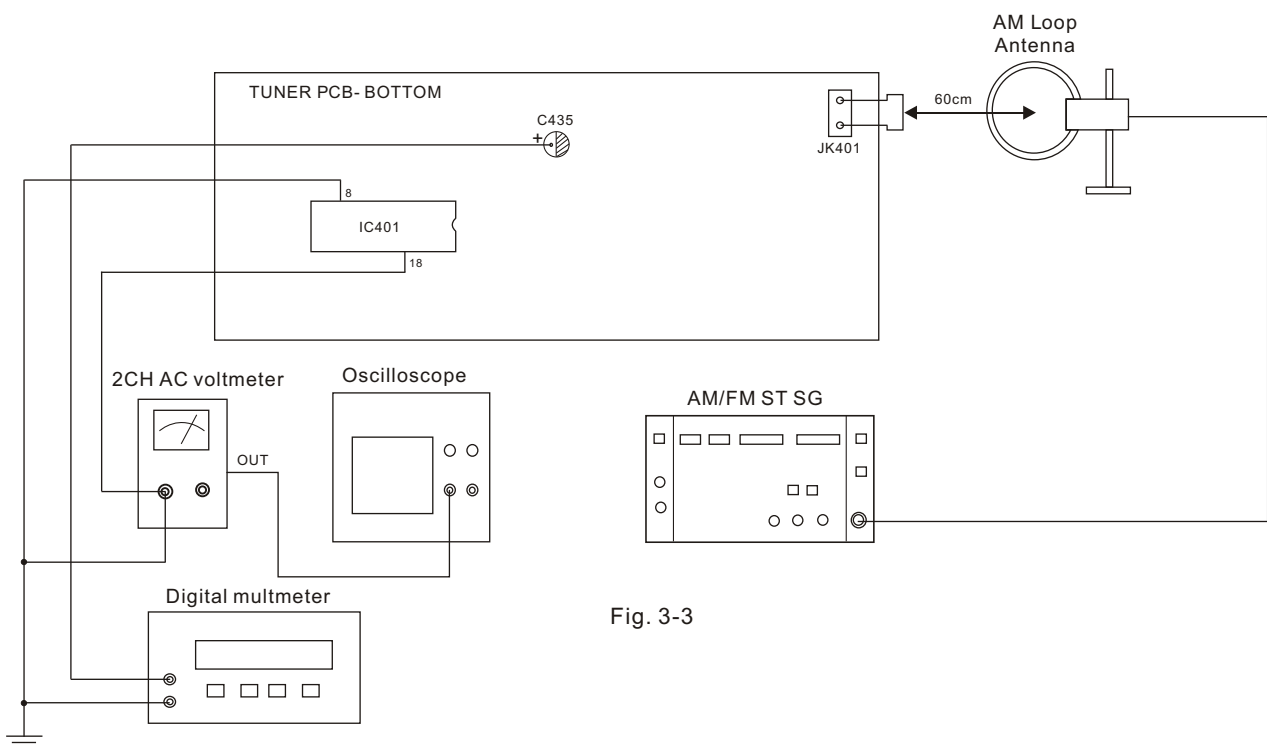
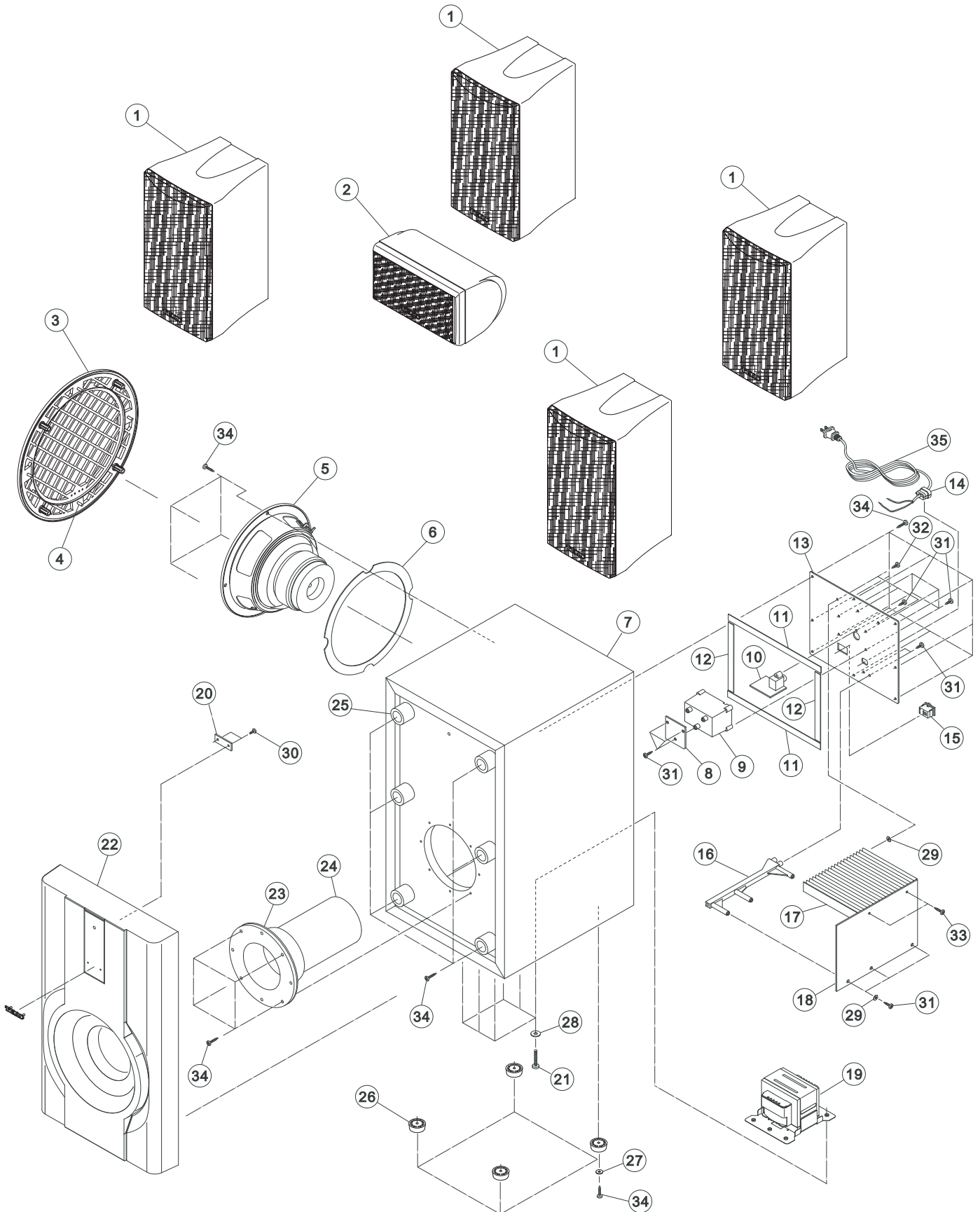


Fig. 3-3



PL-D100V

4 EXPLODED VIEWS AND PARTS LIST

EXPLODED VIEW - 1

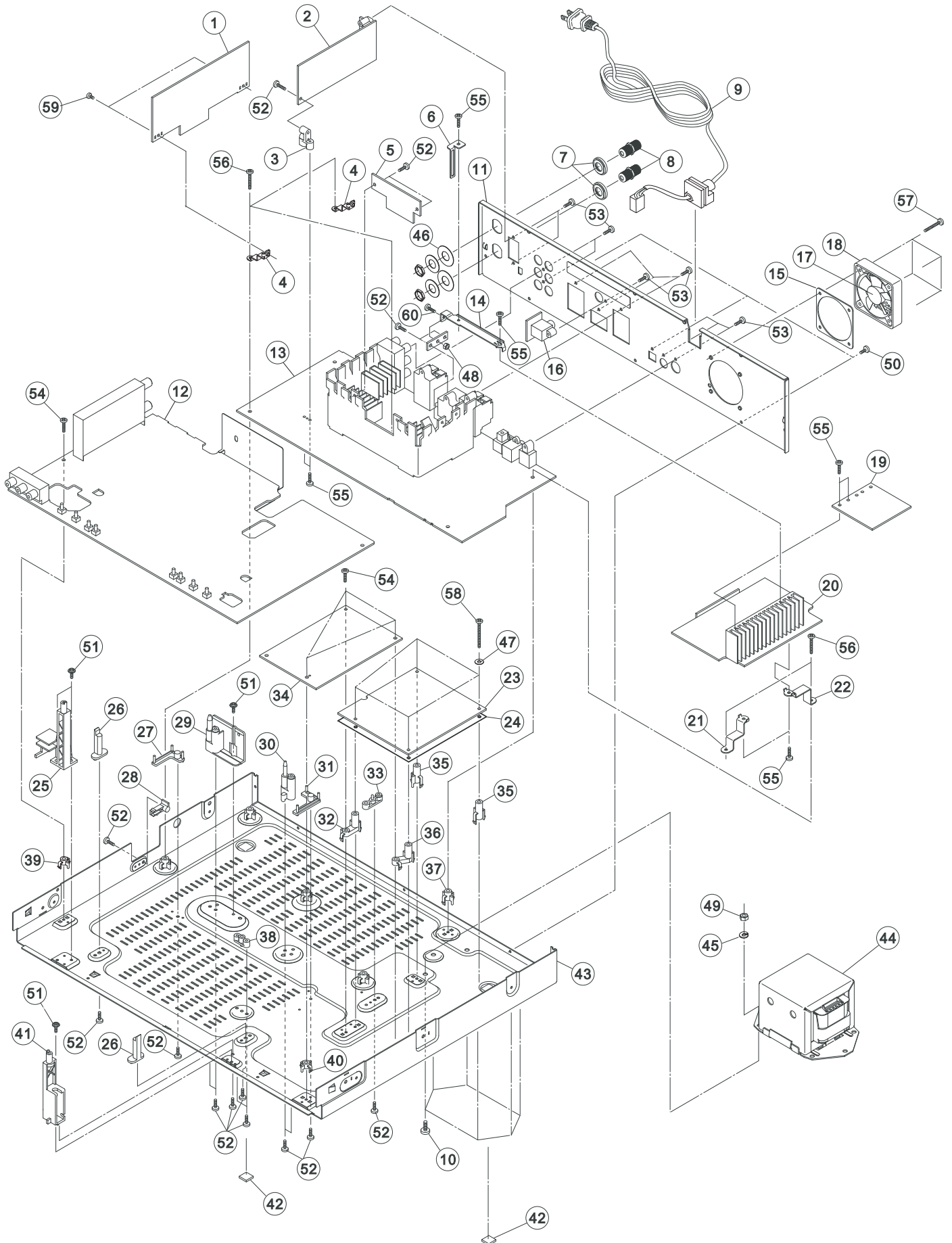


EXPLODED VIEW - 1


REF. NO	PARTS NO.	DESCRIPTION	REMARKS
1-1	DVD3S	4 SPEAKER	
1-2	SSQC1	CENTER SPEAKER	
1-3	662-0FP662-000	SPK CLOTH #FP-662-0WT	
1-4	509-299973-001	SPK MESH	
1-5	131-654080-010	SPW006.5 - 4 OHM	
1-6	700-DV3S16-000	GASKET B, 1MM EVA	
1-7	660-ASWT01-xxx	SW BOX 12MM PARTICAL BD	
1-8	033-00ASW3-400	AC IN PCB ASSY	
1-9	500-ASW303-001	SOCKET COVER	
1-10	033-00ASW3-400	AUDIO IN PCB ASSY	
1-11	700-ASW318-000	PLATE CUSHION (2) 162x11mm	
1-12	700-ASW309-000	PLATE CUSHION (1) 110x11mm	
1-13	630-ASW307-020	SPK SWITCH COVER	
1-14	 700-036034-000	STRAIN RELIEF BUSHING	
1-15	041-110002-230	ROCKER SWITCH #DRT-1106-10	
1-16	505-ASW304-001	PCB BRK	
1-17	613-ASW316-000	POWER HEATSINK	
1-18	033-00ASW3-100	POWER AMP PCB	
1-19	 123-E11051-200	POWER TRANSFORMER	
1-20	033-002630-A00	SUB-WOOFER LED PCB	
1-21	721-010400-200	SCREW PM4X20MM	
1-22	500-SWT206-xxx	SUB-WOOFER PANEL	
1-23	700-SWT213-000	SOUND TUBE GASKET	
1-24	509-SWT202-001	SUB-WOOFER TUBE	
1-25	503-650127-000	SPEAKER POST ADAPTOR	
1-26	700-021000-000	RUBBER STAND BLACK 22X8MM	
1-27	532-203208-060	METAL WASHER 3.2X8X0.6MM	
1-28	532-204512-100	METAL WASHER 4.5X12X1MM	
1-29	532-303208-100	FIBRE WASHER 3.2X8X1MM	
1-30	720-110260-060	SCREW ST2.6X6MM BB BRASS HEAD	
1-31	720-110300-080	SCREW ST3X8MM BB HEAD	
1-32	722-080300-080	SCREW ST3X8MM BB T.T.S	
1-33	722-080307-100	SCREW ST3X10MM BB T.T.S	
1-34	720-190300-120	WOOD SCREW ST3X12MM BA	
1-35	134-B11211-216	AC CORD SP2-MG-UL/CSA	

PL-D100V

EXPLODED VIEW - 2




EXPLODED VIEW - 2

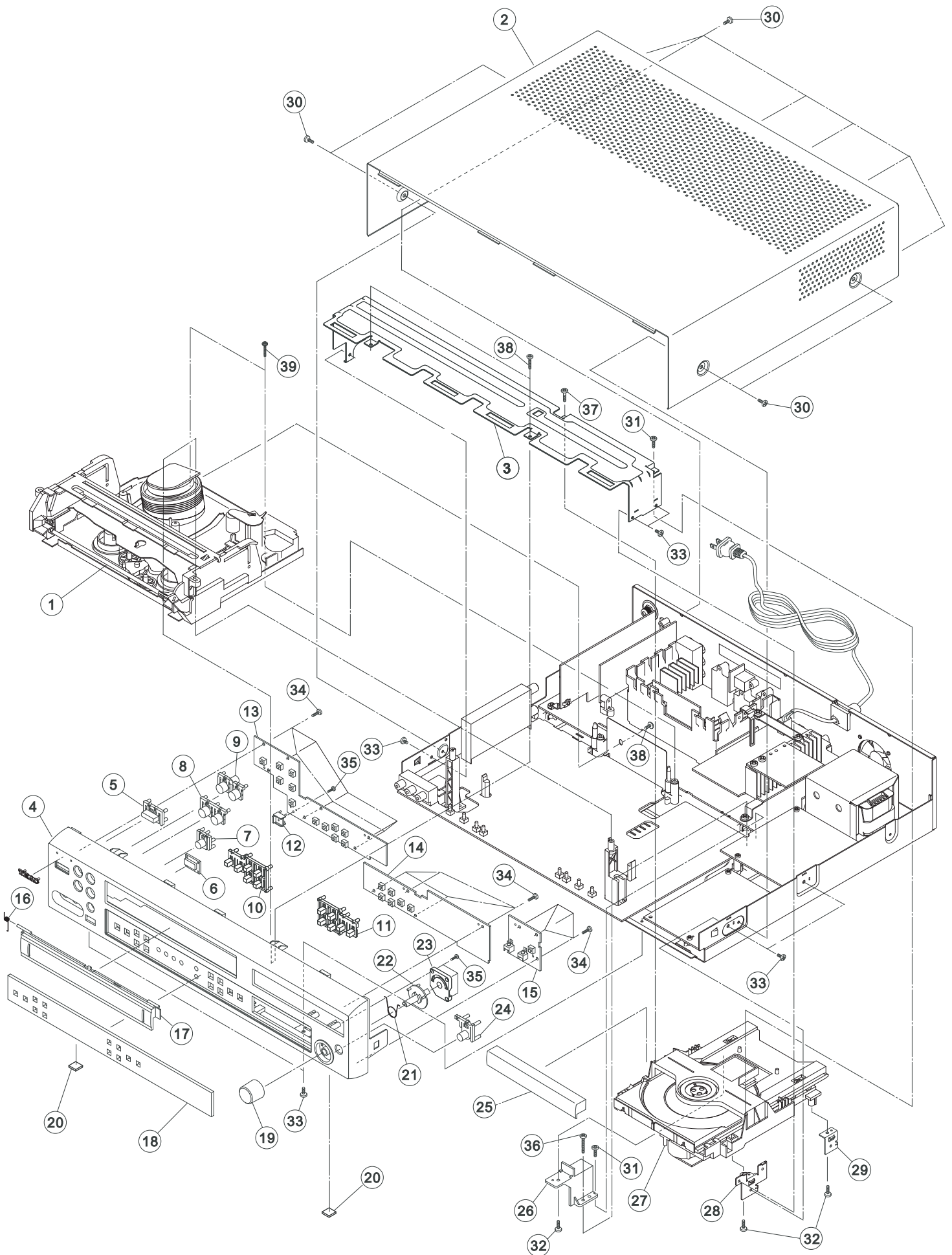
REF. NO	PARTS NO.	DESCRIPTION	REMARKS
2-1	033-002630-A00	AUDIO AMP PCB	
2-2	033-ST21A-103	TUNER PCB ASSY	
2-3	505-223LH6-000	SUPPORT BRK	
2-4	605-262860-000	AV PCB SUPPORT BRK	
2-5	033-002630-A00	FAN PCB ASSY	
2-6	605-262842-000	POWER PCB SUPPORT BRK (A)	
2-7	509-262839-000	CONNECTER RING	
2-8	118-070306-000	RF CONNECTER	
2-9	 134-B12211-20S	AC CORD SP2-MG-UL/CSA	
2-10	721-010400-080	SCREW 4X8MM PM	
2-11	600-263035-xxx	BACK PANEL	
2-12	163-000216-000	VCR PCB ASSY	
2-13	033-002628-102	MAIN PCB ASSY	
2-14	605-262864-000	POWER HEATSINK SUPPORT BKT	
2-15	700-ST2113-000	FOAM CUSHION	
2-16	033-002630-A00	SUB-WOOFER OUTPUT PCB ASSY	
2-17	100-090012-003	COOLING FAN DC 12V	
2-18	500-ST2108-000	FAN COVER	
2-19	033-00263-A00	FUSE PCB ASSY	
2-20	033-00263-A00	POWER RECTIFIER PCB ASSY	
2-21	605-262852-000	POWER PCB SUPPORT BKT (B)	
2-22	605-262854-000	POWER PCB SUPPORT BKT (C)	
2-23	033-002628-201	MPEG PCB ASSY	
2-24	605-262863-000	MPEG INSULATION FIBRE PLATE	
2-25	505-262816-000	VCR FRONT BKT (L)	
2-26	505-262818-000	VCR SUPPORT BKT	
2-27	505-262843-000	CONTACT SUPPORT HOLDER (L)	
2-28	505-263041-000	VCR PCB SIDE BRK	
2-29	505-262819-000	VCR REAR BKT (L)	
2-30	505-262820-000	VCR REAR BKT (R)	
2-31	505-262838-000	CONTACT SUPPORT HOLDER (R)	
2-32	505-262828-000	MPEG-SERVO PCB SUPPORT BKT (A)	
2-33	505-262825-000	VCR PCB BRK (B)	
2-34	033-002628-201	SERVO PCB ASSY	
2-35	505-262827-000	MPEG PCB BKT	
2-36	505-262829-000	MPEG-SERVO PCB BKT (B)	
2-37	505-262823-000	AMPILIFER PCB BKT	
2-38	505-262821-000	VCR SHAFT HOLDER	
2-39	505-262824-000	VCR PCB BKT (A)	
2-40	505-262826-000	SERVO PCB BKT	

PL-D100V

EXPLODED VIEW - 2

REF. NO	PARTS NO.	DESCRIPTION	REMARKS
2-41	505-262817-000	VCR FRONT BKT (R)	
2-42	700-630341-000	RUBBER FOOT	
2-43	600-262833-000	BOTTOM CABINET	
2-44	 123-E11551-600	POWER TRANSFORMER	
2-45	532-404000-000	SPRING WASHER 4mm	
2-46	650-262844-000	RF CONNECTOR INSULATOR PLATE	
2-47	532-303508-040	FIBRE WASHER 3.5x8x0.4mm	
2-48	725-000030-500	NUT M3x0.5	
2-49	725-000040-000	NUT M4	
2-50	722-080308-060	SCREW 3X6MM BB T.T.S	
2-51	722-030301-062	SCREW 3X6MM PWT T.T.S	
2-52	722-080300-079	SCREW 3X8MM BB T.T.S	
2-53	720-110300-080	SCREW 3X8MM BB HEAD	
2-54	722-100300-102	SCREW 3X10MM BM T.T.S	
2-55	722-080307-102	SCREW 3X10MM BB T.T.S	
2-56	722-100308-150	SCREW 3X15MM BM T.T.S	
2-57	722-080308-180	SCREW 3X18MM BB T.T.S	
2-58	722-020300-240	SCREW 3X24MM PB T.T.S	
2-59	721-010300-040	SCREW M3X4MM PM	
2-60	721-040300-080	SCREW 3X8MM BM BRASS	

EXPLODED VIEW - 3



PL-D100V

EXPLODED VIEW - 3

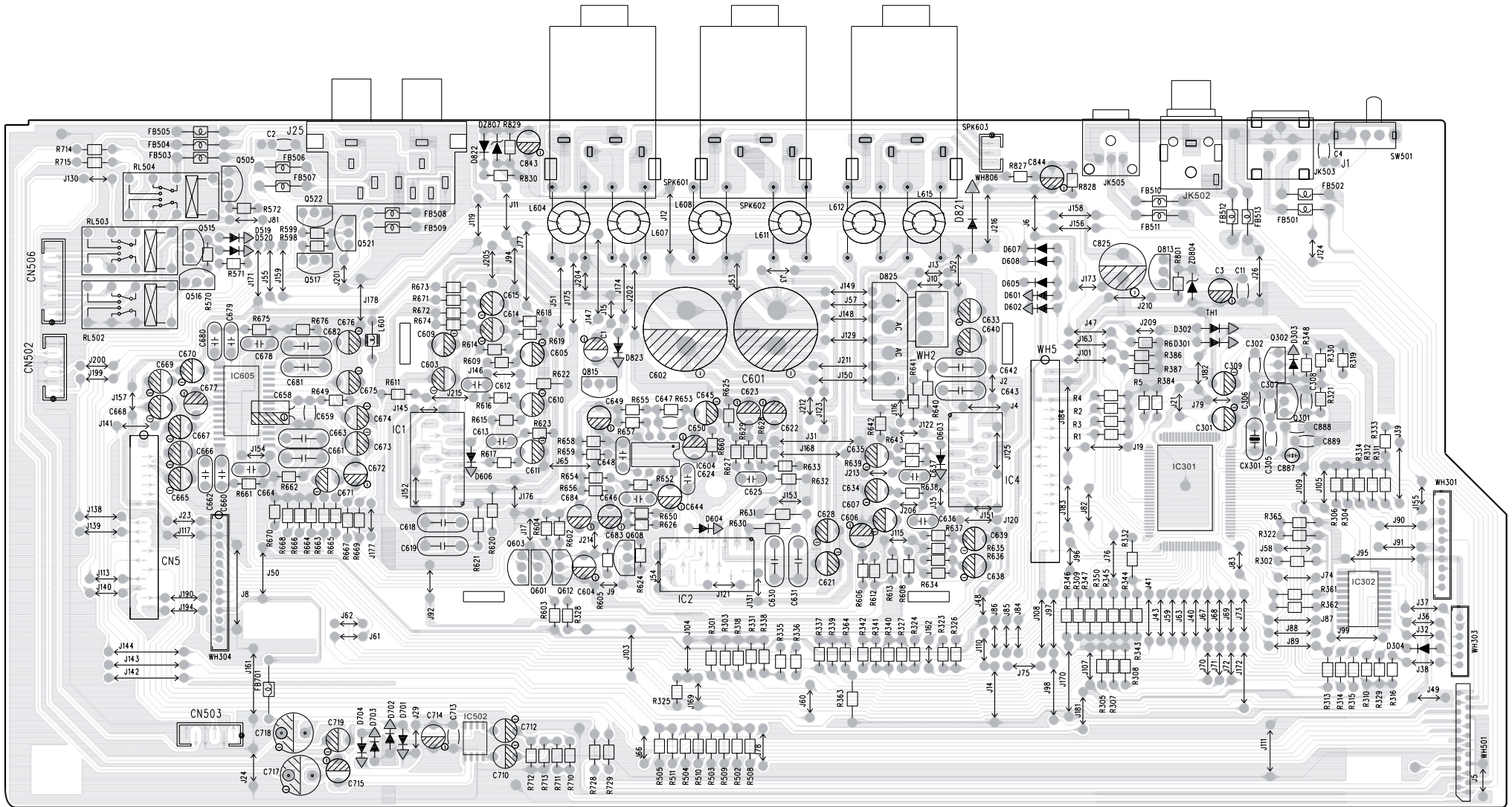
REF. NO	PARTS NO.	DESCRIPTION	REMARKS
3-1	161-000961-000	VIDEO CASS.DECK MECHA VC-H961UZ	
3-2	600-262834-xxx	TOP PANEL	
3-3	605-262847-000	TOP BKT	
3-4	500-263001-xxx	FRONT PANEL	
3-5	510-263004-xxx	POWER KNOB	
3-6	500-263015-001	REMOTE SENSOR LENS	
3-7	510-263006-xxx	VCR EJECT KNOB	
3-8	510-263030-xxx	VCR CHANNEL KNOB SET	
3-9	510-263005-xxx	VCR PLAY KNOB SET	
3-10	510-263007-xxx	VCR REC KNOB SET	
3-11	510-263008-xxx	DVD PLAY KNOB SET	
3-12	505-263014-000	REMOTE SENSOR HOLDER	
3-13	033-002630-A00	KEY PCB ASSY	
3-14	033-002630-A00	DISPLAY PCB ASSY	
3-15	033-002630-A00	VOL/OPEN/CLOSE PCB ASSY	
3-16	561-262858-000	CASSETTE SPRING	
3-17	500-263002-xxx	VCR DOOR	
3-18	512-263032-010	MIRROR DISP.LENS	
3-19	510-262810-010	VOLUME KNOB	
3-20	700-630341-000	RUBBER FOOT	
3-21	561-262837-000	VOLUME KNOB SPRING	
3-22	503-263011-000	VOLUME KNOB SHAFT	
3-23	505-263012-000	VOLUME KNOB SHAFT BKT	
3-24	510-263009-xxx	DVD OPEN/CLOSE KNOB	
3-25	500-263003-xxx	DVD DOOR	
3-26	505-262822-000	LOADER REAR BKT (L)	
3-27	DVD-036	DVD MECHANISM- SAMSUNG	
3-28	605-262848-000	LOADER MOUNTING BKT (B)	
3-29	605-262836-000	LOADER MOUNTING BKT (A)	
3-30	722-080308-060	SCREW 3X6MM BB T.T.S	
3-31	722-080300-079	SCREW 3X8MM BB T.T.S	
3-32	720-110300-080	SCREW 3X8MM BB BRASS HEAD	
3-33	721-010300-040	SCREW M3X4MM PM	
3-34	722-080269-082	SCREW 2.6X8MM BB T.T.S	
3-35	720-050200-060	SCREW 2X6MM PB BRASS HEAD	
3-36	722-100308-150	SCREW 3X15MM BM T.T.S	
3-37	723-042628-000	SPECIAL SCREW 3X10MM BB .P TYPE	
3-38	722-080307-122	SCREW 3X12MM BB T.T.S	
3-39		SCREW 3X10x12MM PWB T.T.S	

5 PC BOARDS AND PART LISTS

MAIN PCB ASSY

REF. NO	PARTS NO.	DESCRIPTION	REMARKS
C301	033-002628-102	MAIN PCB - RTS2628-02-01	
C601,602	006-747300-05C	CE-5.5V 47000UF	
C825	006-033200-35D	CE-35V 3300UF	
CX301	006-010200-16D	CE-16V 1000UF	
	020-000800-000	RESONATOR 8 MHz	
CN506	135-2001WS-080	HEADER 8PIN P=2MM	
D301,302	011-000721-000	DIODE - RB721Q	
D303,304	011-004148-000	DIODE - 1N4148	
D519,520,601-608			
D701,702,703,704			
D822,823			
D825	011-020602-001	BRIDGE RECTIFIER RS602	
DZ807	011-010062-005	ZENER DIODE -6.2V	
FB501-504,	032-101162-000	FERRITE BEAD INDUCTOR 0.45UH	
FB506-512,701			
IC1,2,4	010-201876-000	IC - LM1876	
IC301	010-918726-000	IC - TMP87EP26F	
IC302	010-070373-000	IC - 74HC373	
IC502	010-272267-000	IC - NJM2267M	
IC604	010-274558-000	IC - NJM-4558D	
IC605	010-142322-000	IC - PT2322S	
JK502	118-020032-009	PIN JACK HTJ-032-08B0	
JK503	119-000056-000	DIN JACK HDC-056	
JK505	110-001329-000	OPTICAL TRANSMITTER #GP1F32T	
L601	018-010476-000	INDUCTOR 47UH	
L604,607,608	037-953628-261	TOROIDAL COIL - T953628	
L612,615			
Q301	008-601417-000	TR - 3DG1417	
Q302	008-801141-000	TR - DTC114ES	
Q505,515,516	008-680500-000	TR - 3DA8050	
Q521	008-801440-000	TR - DTA144TS	
Q517,522	008-414680-000	TR - 2SD1468S	
Q601	008-801141-000	TR - DTC114ES	
Q603	008-800123-003	TR - DTA123ESA	
Q608	008-618150-000	TR - 3DG1815	
Q612	008-801440-000	TR - DTA144TS	
Q813	008-680500-000	TR - 3DA8050	
RL502-504	128-120212-001	RELAY 12V ME-2-12	
SPK601,603	118-000354-001	PUSH TERMINAL BOARD 4PIN	
SPK602	118-000352-000	PUSH TERMINAL BOARD 2PIN	
WH301	135-PHS100-100	HEADER 10PIN P=2MM	
WH304	135-PHS130-130	HEADER 13PIN P=2MM	
WH5	135-09110B-200	BOARD TO BOARD CONNECTOR 20PIN	
WH501	135-006232-220	FFC CONN 6232 22PIN	
WH806	135-PHS030-030	HEADER 3PIN P=2MM	
ZD804	011-010100-122	ZENER DIODE 10V	

PL-D100V



SERVO PCB ASSY

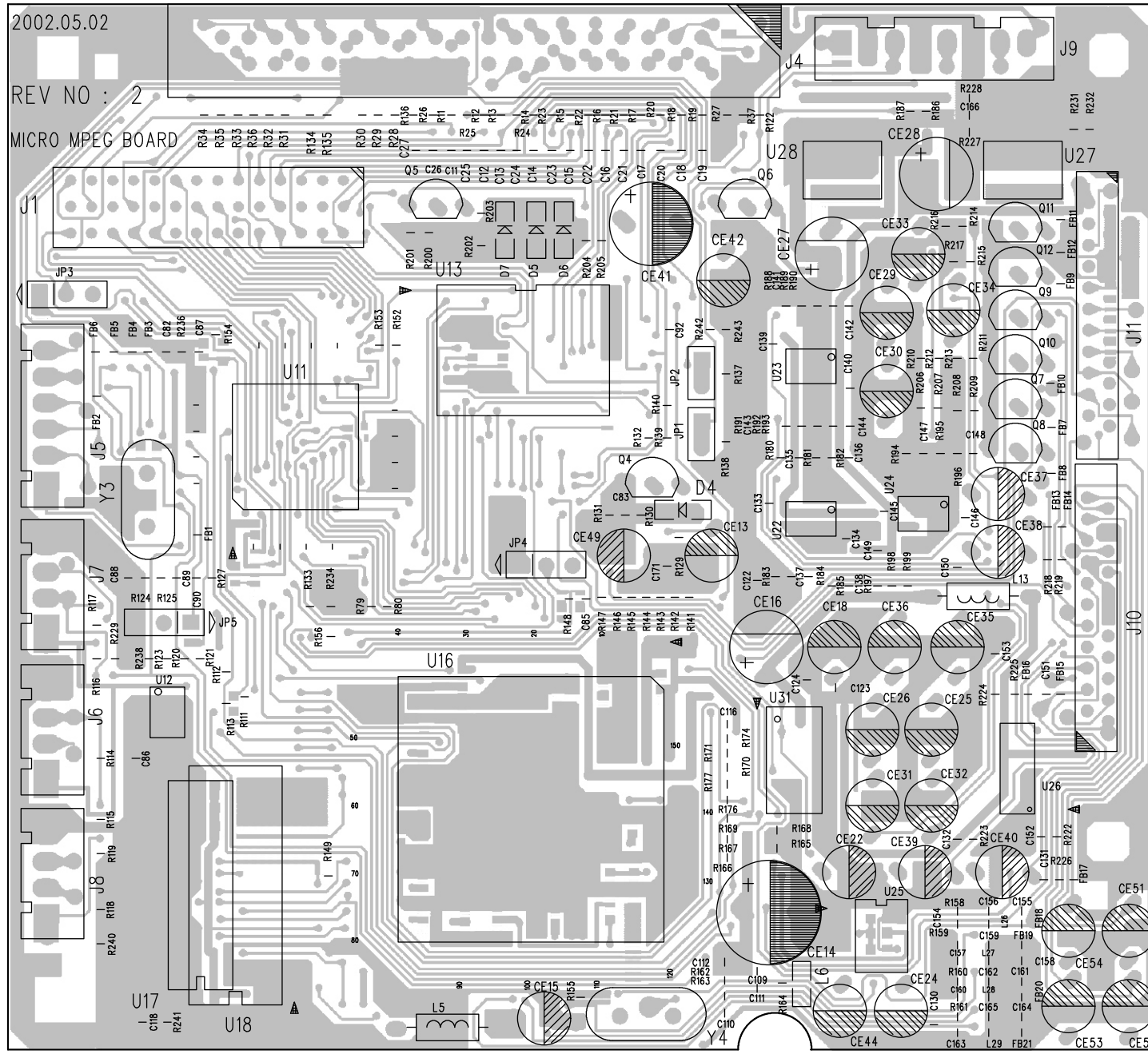
REF. NO	PARTS NO.	DESCRIPTION	REMARKS
	003-002628-201	SERVO PCB - RTS2628-01*06	
D3,6	011-040202-001	CHIP DIODE - DAP202K	
J2	135-005267-040	HEADER 4PIN P=2.5MM	
J3	135-SB4025-400	BOX HEADER 40PIN P=2.54MM	
J4	135-PHS060-060	HEADER 6PIN P=2MM	
J5	135-PHS050-050	HEADER 5PIN P=2MM	
L4,7	018-010016-000	INDUCTOR 10UH	
Q2	008-A00124-B00	CHIP TR- DTC124TKA	
Q3,4	008-A01197-000	TR - 2SB1197K	
U2	010-245705-000	IC - M5705	
U4	010-151902-000	IC - XC61AN1902MR	
U5	010-400033-000	IC - BA033FP	
U6	010-405983-000	IC - BA5983FM	
U7	010-245703-000	IC - M5703T	
U8	010-406195-000	IC - BA6195FP	
U9	135-0GF106-240	FFC CONNECTOR 24PIN P=1MM	
U11	010-401780-000	IC - BA17805FP	
U12	010-032951-001	IC - W29EE512P-70	
X1	020-338688-000	RESONATOR 33.8688 MHz	

MPEG PCB ASSY

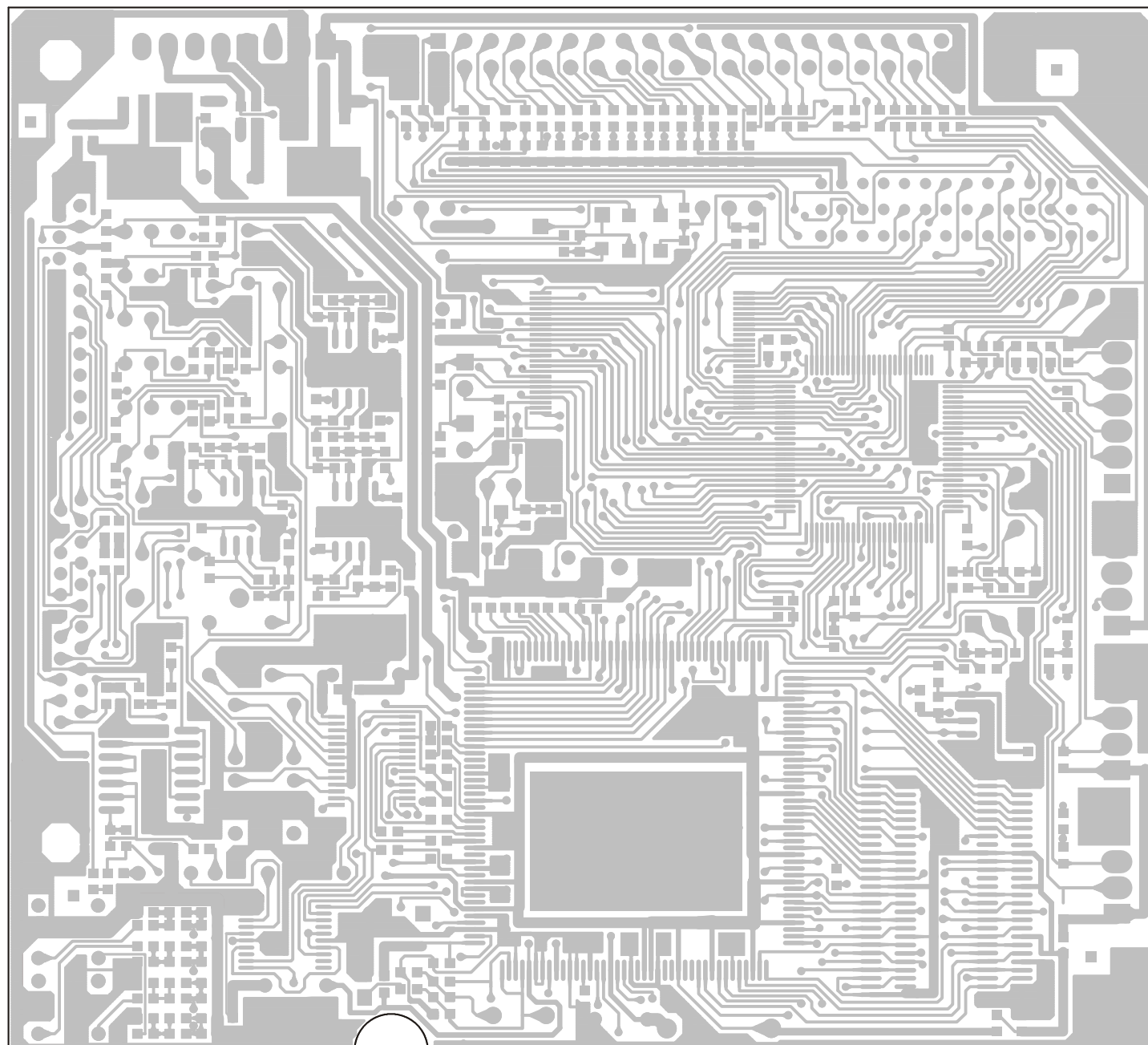
REF. NO	PARTS NO.	DESCRIPTION	REMARKS
	033-002628-201	MPEG PCB ASSY - RTS2626-01-05	
D4,5,6,7	011-044148-000	CHIP DIODE - RS4148	
FB1-17	032-111102-000	FERRITE BEAD BLM11A102S	
J4	135-SB4025-400	BOX HEADER 40 PIN P=2.54MM	
J5	135-005267-060	HEADER 6PIN P=2.5MM	
J6	135-005267-040	HEADER 4PIN P=2.5MM	
J9	135-005267-070	HEADER 7PIN P=2.5MM	
J10,11	135-006232-220	FFC CONN 22PIN P=1MM	
L5,13	018-010016-000	INDUCTOR 10UH	
L6	018-040277-001	C.COIL 2.7UH	
L26,27,28,29	018-040187-002	C.COIL 1.8UH	
Q4,7-12	008-603904-000	TR - 2N3904	
Q5,6	008-603906-000	TR - 2N3906	
U11	010-893670-002	IC - ZR36705TQC	
U12	010-512401-001	IC - S-24C01BFJ	
U13	010-993908-000	IC - SST39VF800A	
U16	010-893673-000	IC - ZR36732PQC	
U17	010-310416-002	IC - K4S161622D	
U22-24	010-274580-000	IC - NJM4580E	
U25	010-038739-000	IC - WM8739EDS	
U26	010-847404-001	IC - 74HCU04AF	
U27	010-721117-000	IC - LD1117S	
U28	010-721117-001	IC - LD1117S33	
U31	010-038746-000	IC - WM8746EDS	
Y3	009-612500-000	CRYSTAL 12.5MHZ	
Y4	009-627000-003	CRYSTAL 27MHZ	

PL-D100V

MPEG PCB - TOP



MPEG PCB - BOTTOM



POWER RECTIFIER PCB ASSY

REF. NO	PARTS NO.	DESCRIPTION	REMARKS
	033-002630-A00	POWER RECTIFIER PCB - RTS2628-01-02	
C846,849	⚠ 006-010200-10D	CE-10V 1000UF	
C1,851	⚠ 006-010200-16C	CE-16V 1000UF	
C811	⚠ 006-022200-25D	CE-25V 2200UF	
C809	⚠ 006-047200-16D	CE-16V 4700UF	
CN2	135-00TJC6-020	HEADER 2PIN P=7.92MM	
D1	⚠ 011-020602-001	BRIDGE RECTIFIER RS602	
D801-804,809	011-024001-000	DIODE - IN4001	
DZ801	011-010024-120	ZENER DIODE - 24V	
DZ802	011-010082-120	ZENER DIODE - 8.2V	
DZ804	011-010100-122	ZENER DIODE - 10V	
FS1	⚠ 124-016020-001	FUSE 1.6A/250V	
FS802,803	⚠ 124-025020-001	FUSE 2.5A/250V	
IC801	010-400009-001	IC - BA09ST	
IC802,803	010-400005-002	IC - BA05ST	
L801-804	018-010337-300	INDUCTOR 3.3UH	
Q801	008-618150-000	TR - 3DG1815	
Q807	008-110150-000	TR - 2SA1015	
Q808	008-680500-000	TR - 3DA8050	
Q809	008-685500-000	TR - 3CA8550	
Q811	008-801141-000	TR - DTC114ES	
Q812	008-800123-003	TR - DTA123ESA	
RL801	128-090109-000	RELAY 9V SDT-S-109LMR	
WH1	135-2001WS-070	HEADER 7PIN P=2MM	
WH7	135-052806-130	FFC CONN 13PIN P=1MM	

FAN PCB ASSY

REF. NO	PARTS NO.	DESCRIPTION	REMARKS
	033-002630-A00	FAN PCB - RTS2628-01-07	
D851-D853	011-004148-000	DIODE - IN4148	
Q851	008-685500-000	TR - 3CA8550	
Q852	008-618150-000	TR - 3DG1815	
L851	018-010476-000	INDUCTOR 47UH	

AUDIO IN PCB ASSY

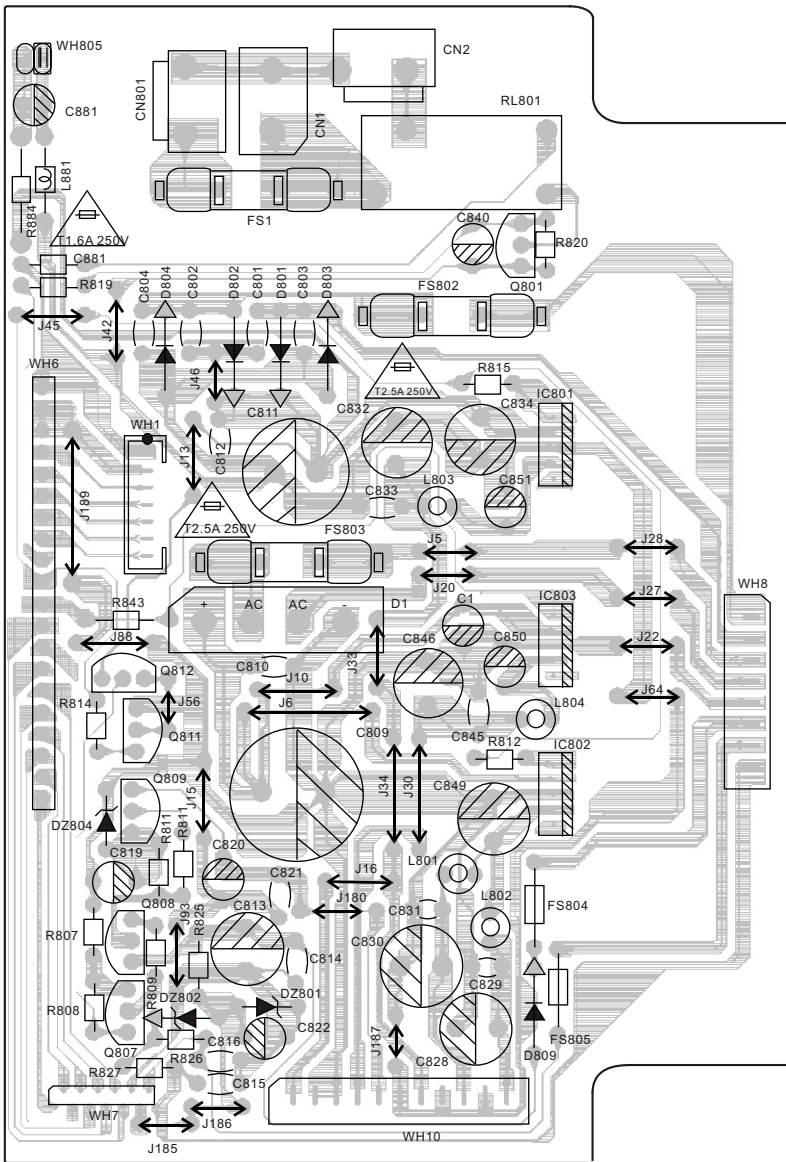
REF. NO	PARTS NO.	DESCRIPTION	REMARKS
	033-00ASW3-400	AUDIO IN PCB - ASW3-01-02	
CN207	135-00TJC6-021	HEADER 2PIN P=11.88MM	

FUSE PCB ASSY

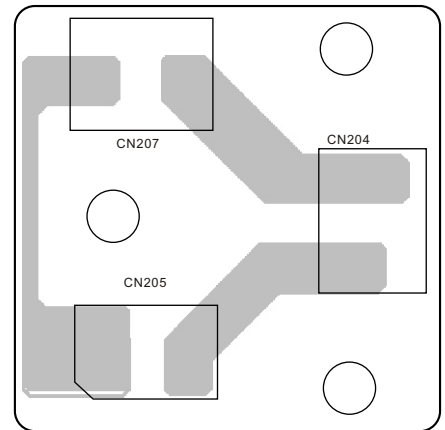
REF. NO	PARTS NO.	DESCRIPTION	REMARKS
	033-002630-A00	FUSE PCB - RTS2628-02-09	
CN3	135-005268-080	HEADER 8PIN P=2.5MM	
FS2,FS3	⚠ 124-006310-000	MICRO FUSE 630mA/125V	

PL-D100V

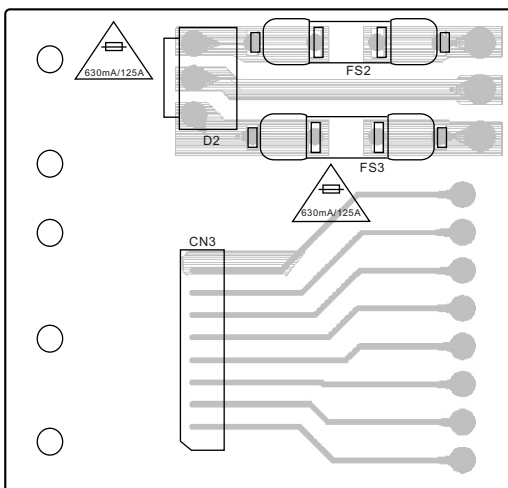
POWER RECTIFIER PCB



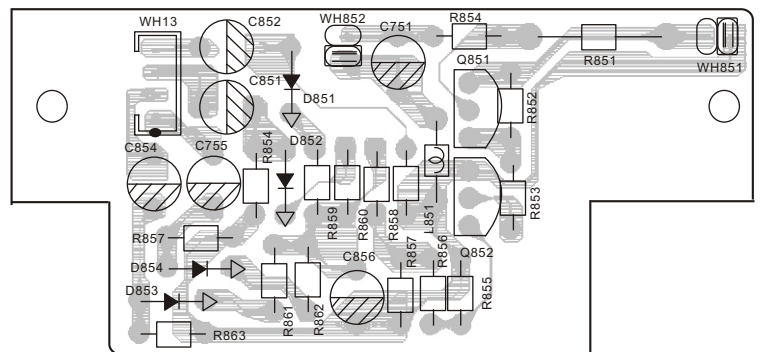
AUDIO IN PCB



FUSE PCB



FAN PCB



KEY PCB ASSY

REF. NO	PARTS NO.	DESCRIPTION	REMARKS
D4,5,6,7	033-002630-A00	KEY PCB - RTS2630-01-02	
SW1-11,14	110-053100-015	LED - 5MM RED	
WH305	021-114165-001	TACT SWITCH H=5MM	
	135-2001WR-030	HEADER 3PIN P=2MM	

VOL/CLOSEW PCB ASSY

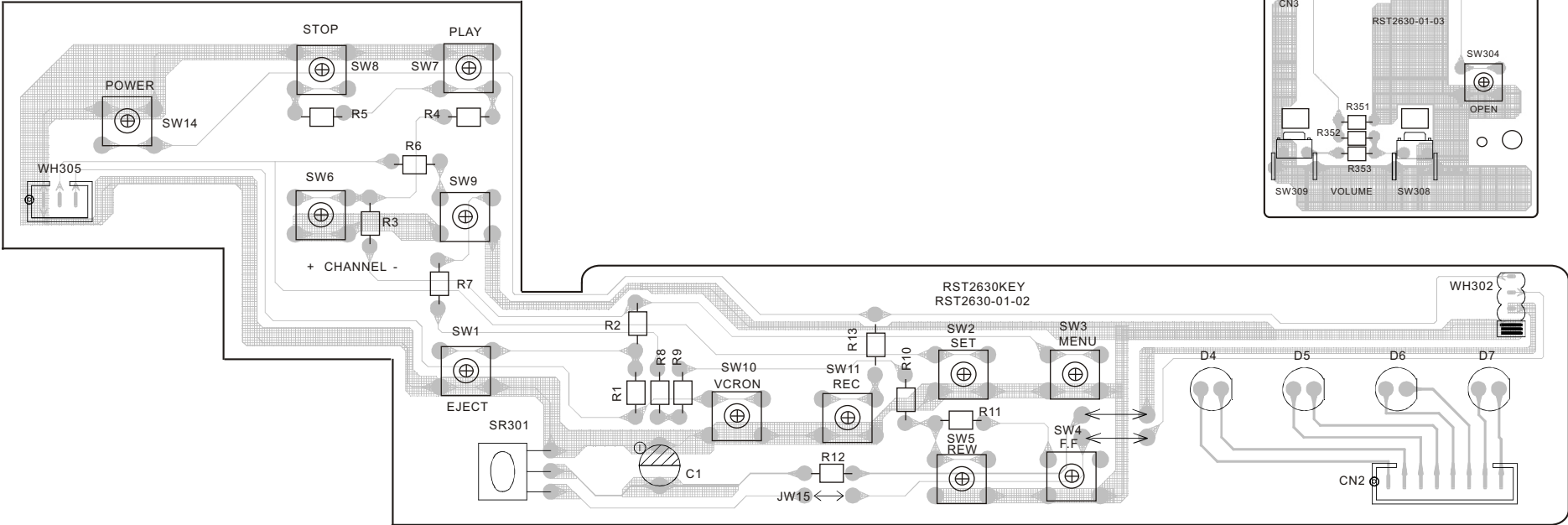
REF. NO	PARTS NO.	DESCRIPTION	REMARKS
SW304	033-002630-A00	VOL./OPEN/CLOSE PCB - RTS2630-01-03	
SW308,309	021-114165-001	TACT SWITCH H=5MM	
	021-110200-000	TACT SWITCH H=3.85MM	

DISPLAY PCB ASSY

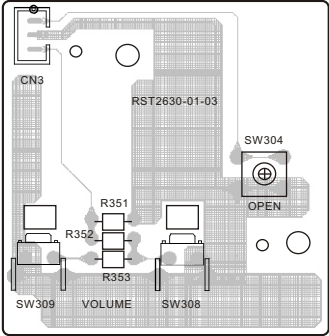
REF. NO	PARTS NO.	DESCRIPTION	REMARKS
CN303	033-002630-A00	DISPLAY PCB ASSY - RTS2630-01-01	
DFP301	135-052808-130	FFC SOCKET 13P P=1MM	
D1	115-010248-000	VFD-2COL02050SM-035P	
D2	110-053100-015	LED - 5MM RED	
	110-053101-015	LED - 5MM GREEN	
IC304	010-146311-001	IC- PT6311	
SW301-303,	021-114165-001	TACT SWITCH H=5MM	
SW305-307			

PL-D100V

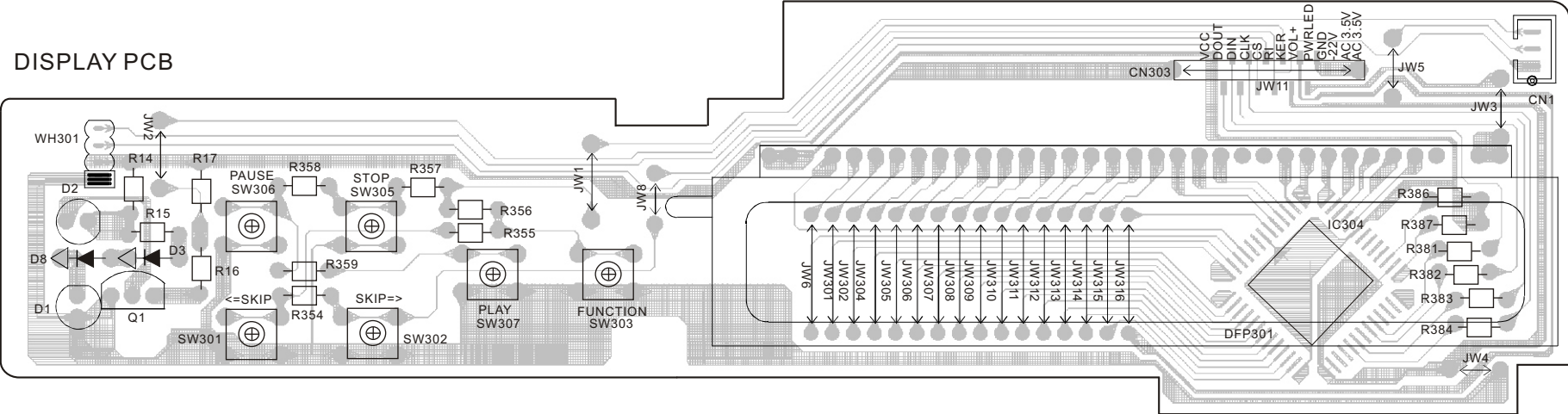
KEY PCB



VOLUME PCB



DISPLAY PCB



LED PCB ASSY

REF. NO	PARTS NO.	DESCRIPTION	REMARKS
WH3	033-002628-200 135-2001WS-080	LED PCB ASSY - RTS-2628-01-11 HEADER 8PIN P=2MM	

SUB-WOOFER OUTPUT PCB ASSY

REF. NO	PARTS NO.	DESCRIPTION	REMARKS
J18	033-002630-A00	SUB-WOOFER OUTPUT PCB ASSY - RTS2630-01-04	
WH9	118-020032-008 135-PHS020-020	RCA JACK MTJ-032-12B-01 HEADER 2PIN P=2MM	

AUDIO AMP PCB ASSY

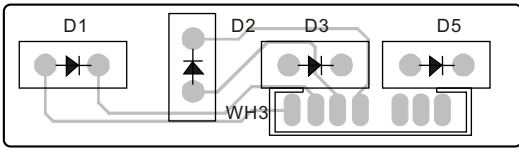
REF. NO	PARTS NO.	DESCRIPTION	REMARKS
DZ501	033-002630-A00	AUDIO AMP PCB ASSY - RTS2628-02-03	
IC501	011-010062-005	ZENER DIODE 6.2V	
IC506	010-354052-000	IC - BU4052BC	
IC808,810,811	010-354551-000	IC - BU4551BF	
	010-404558-000	IC - BA4558N	
Q501,502	008-618150-000	TR - 3DG1815	

TO VCR CONNECT PCB ASSY

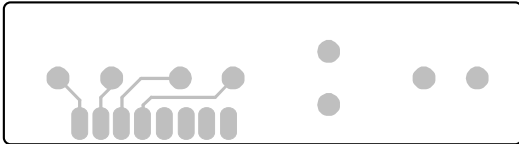
REF. NO	PARTS NO.	DESCRIPTION	REMARKS
WH1,WH2	033-002628-200 135-PHS060-060	TO VCR CONNECT PCB ASSY - RTS2628-01-08 HEADER 6PINP=2MM	

PL-D100V

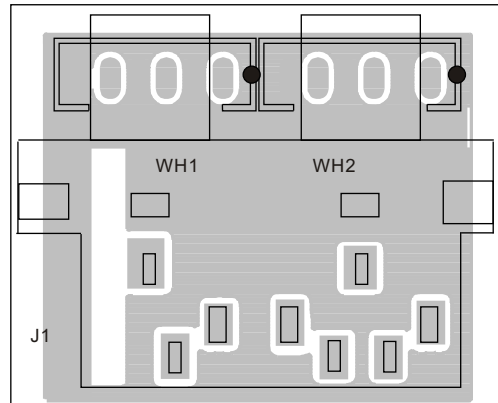
LED PCB - TOP



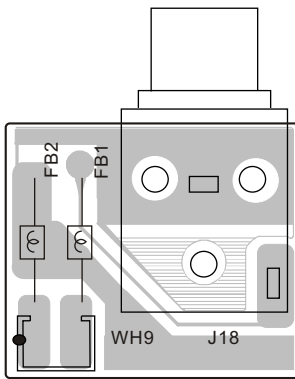
LED PCB - BOTTOM



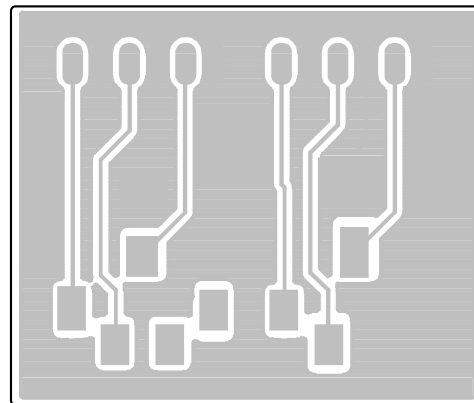
TO VCR CONNECT PCB - TOP



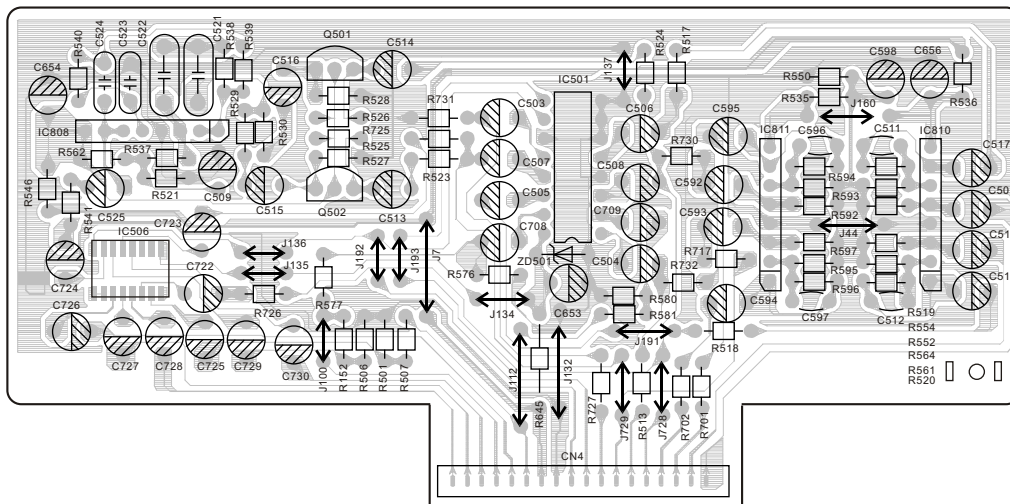
SUB-WOOFER OUTPUT PCB



TO VCR CONNECT PCB - BOTTOM



AUDIO AMP.PCB



TUNER PCB ASSY - TOP

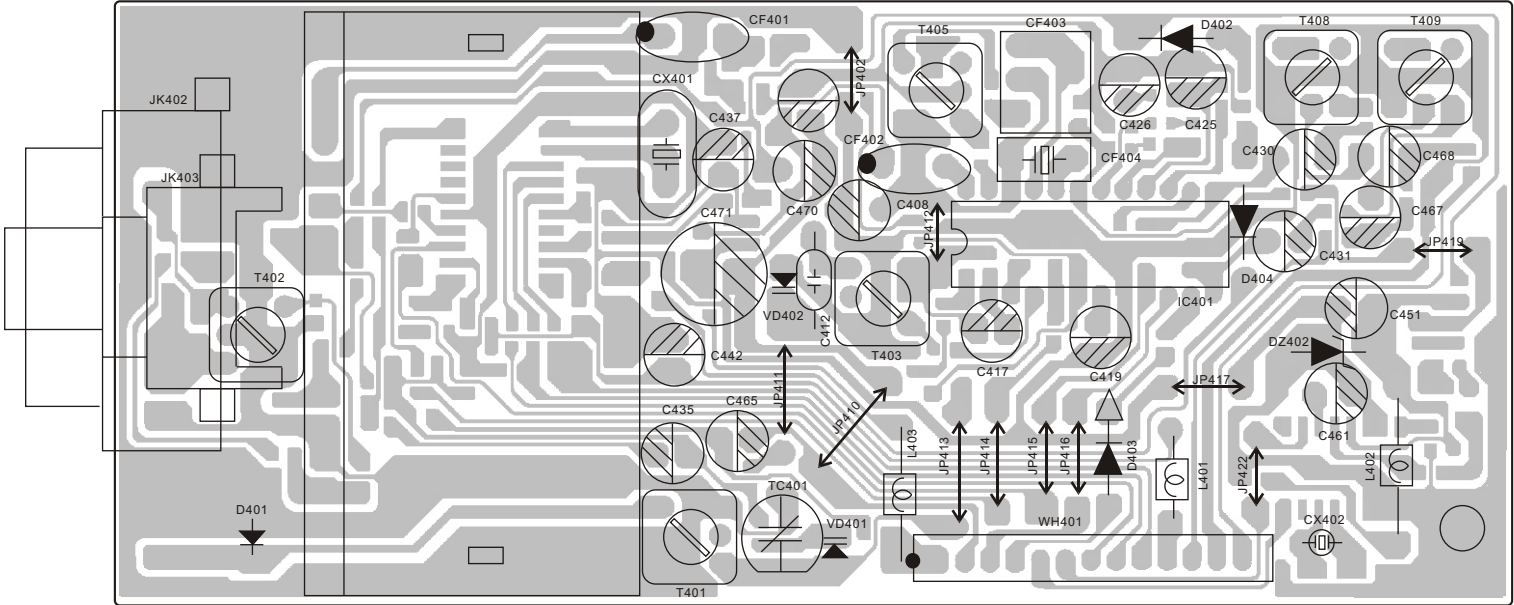
REF. NO	PARTS NO.	DESCRIPTION	REMARKS
	033-ST521A-103	TUNER PCB ASSY - ST521AAS-01-04	
	042-103010-000	FM FRONT END TUNER	
CF401,402	019-000107-006	CER. FILTER SFE10.7MS3-A	
CF403	019-000450-012	CER. FILTER LTU450G2	
CF404	019-000107-028	CER. FILTER CDA10.7MG82-A	
CX401	009-607200-000	CRYSTAL 7.2MHz	
D401-404	011-004148-000	DIODE 1N4148	
IC401	010-832099-000	IC - TA2099N	
JK403	135-005268-020	HEADER 2PIN P=2.5MM	
L401	018-010014-000	INDUCTOR 100UH	
T401	012-001906-075	IFT - BLACK	
T402	012-002400-007	IFT - KS2400N	
T403	012-001905-075	IFT - RED	
T405	012-001720-075	IFT - YELLOW	
TC401	007-100005-000	TRIMMER 2-5P	
VD401,402	011-000149-000	VARI CAP DIODE 1SV149B	

TUNER PCB ASSY - BOTTOM

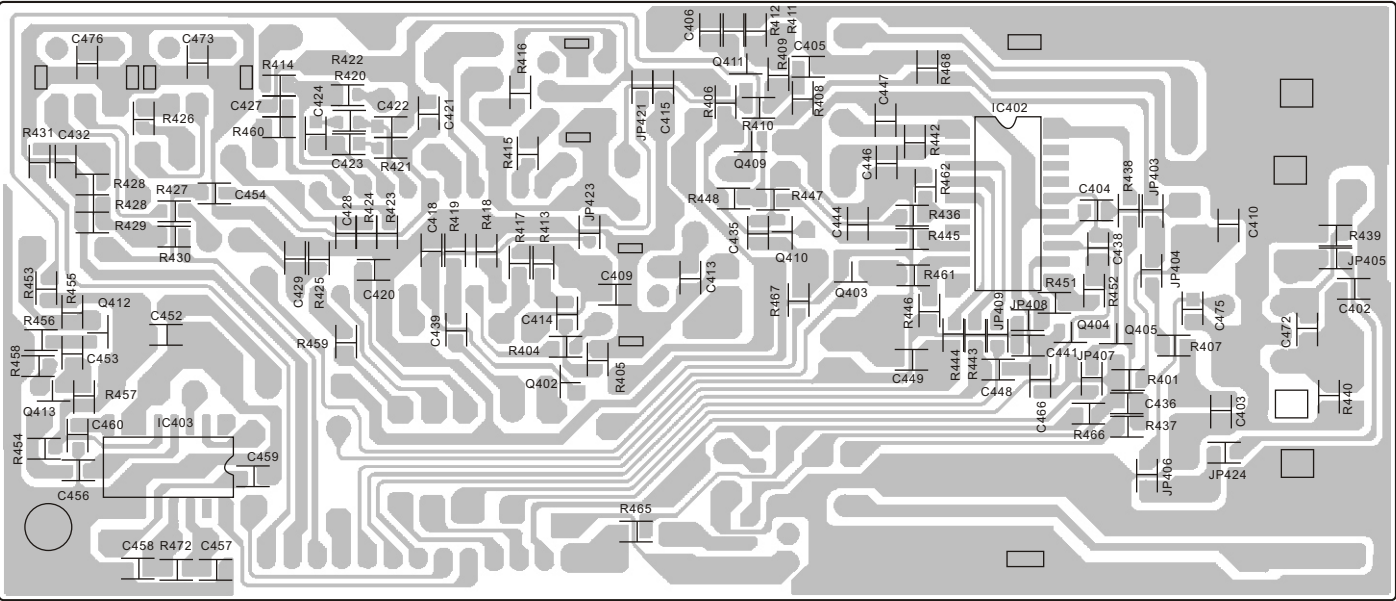
REF. NO	PARTS NO.	DESCRIPTION	REMARKS
IC402	010-849257-000	IC - TC9257F	
Q402	008-A00201-010	CHIP TR -SST201	
Q403,404,405	008-A02712-000	CHIP TR-2SC2712	
Q409,410	008-A01036-000	CHIP TR-2SA1036K	

PL-D100V

TUNER PCB - TOP



TUNER PCB - BOTTOM



POWER AMP PCB ASSY

REF. NO	PARTS NO.	DESCRIPTION	REMARKS
	033-00ASW3-100	POWER AMP PCB ASSY - ASW3-01-01	
C901,902	006-033200-35C	CE-35V 3300UF	
CN301	135-005267-020	HEADER 2PIN P=2.5MM	
CN901	135-002422-030	HEADER 3PIN P=3.96MM	
D401,502-504,506	011-004148-000	DIODE IN4148	
DB901	△ 011-020602-001	BRIDGE RECTIFIER RS602	
D501,505	011-024001-000	RECTIFIER IN4001	
FS901,902	△ 124-050020-001	FUSE 5A/125V	
IC401	010-200324-000	IC - LM324N	
Q401,501-505, Q509,510,516,517	008-600945-000	TR - 2SC945	
Q506-508,515,518	008-600733-000	TR - 2SA733P	
Q511	008-601013-000	TR - 2SA1013O	
Q512	008-602383-000	TR - 2SC2383O	
Q514	008-304278-000	TR - C4278E	
Q513	008-101633-00	TR - A1633E	
Q901	008-685500-000	TR - 3CA8550	
Q902	008-680500-000	TR - 3DA8050	
RL501	128-090109-000	RELAY 9V SDT-S-109LMR	
ZD501,502	011-010012-120	ZENER DIODE 12V	
ZD901,902	011-010015-120	ZENER DIODE 15V	

AC IN PCB ASSY

REF. NO	PARTS NO.	DESCRIPTION	REMARKS
	033-00ASW3-400	AC IN PCB ASSY - ASW3-01-05	
JK201	118-020032-008	RCA JACK MTJ-032-12B-01	

CONNECTION PCB ASSY

REF. NO	PARTS NO.	DESCRIPTION	REMARKS
	033-002630-A00	CONNECTION PCB ASSY- RTS2628-01-04	

SUB-WOOFER LED PCB ASSY

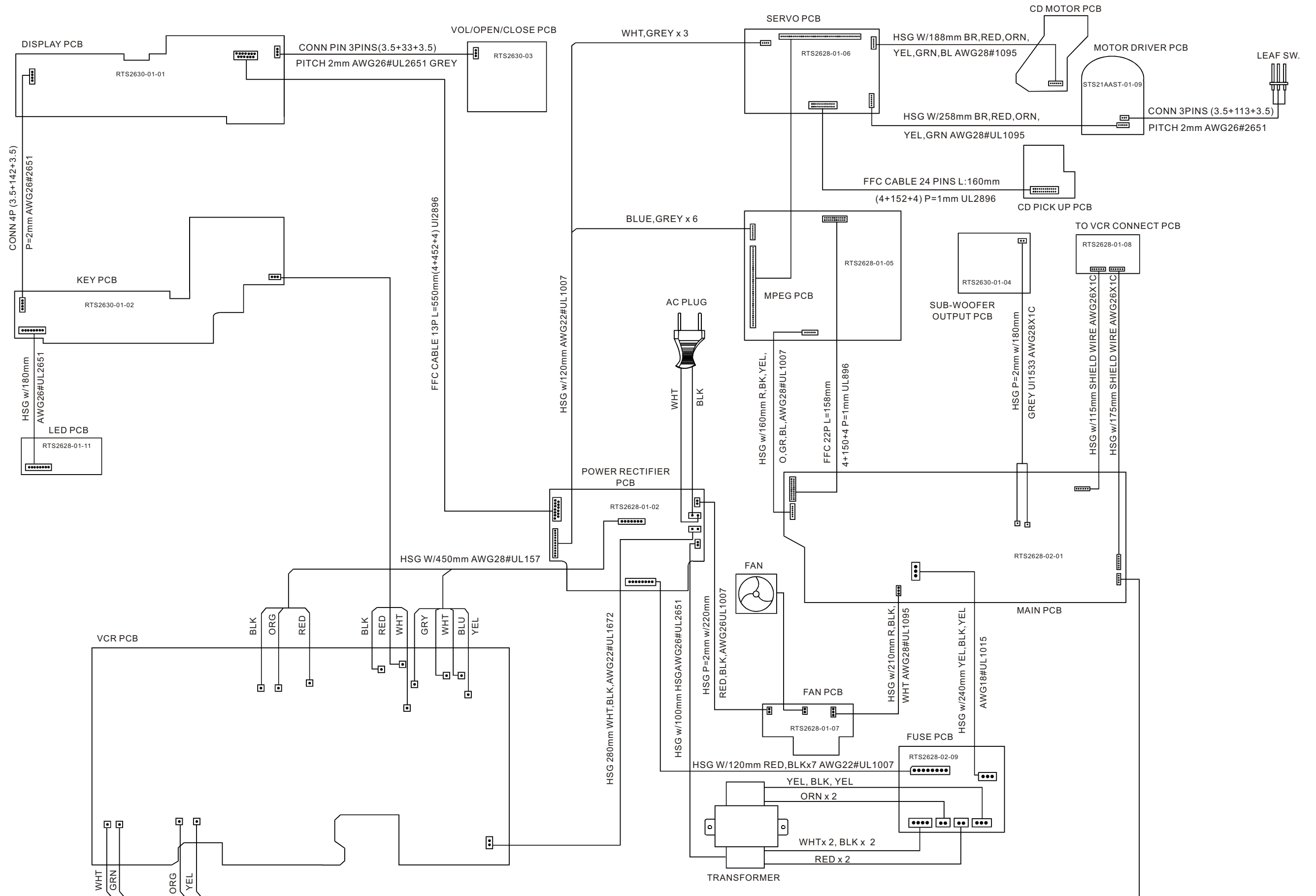
REF. NO	PARTS NO.	DESCRIPTION	REMARKS
	033-002630-A00	SUB-WOOFER LED PCB ASSY - RTS2630-01-05	
LED101	110-033041-003	LED 3MM	

MOTOR DRIVER PCB ASSY

REF. NO	PARTS NO.	DESCRIPTION	REMARKS
	033-ST21A-108	MOTOR DRIVER PCB ASSY - STS21AAST-01-09	

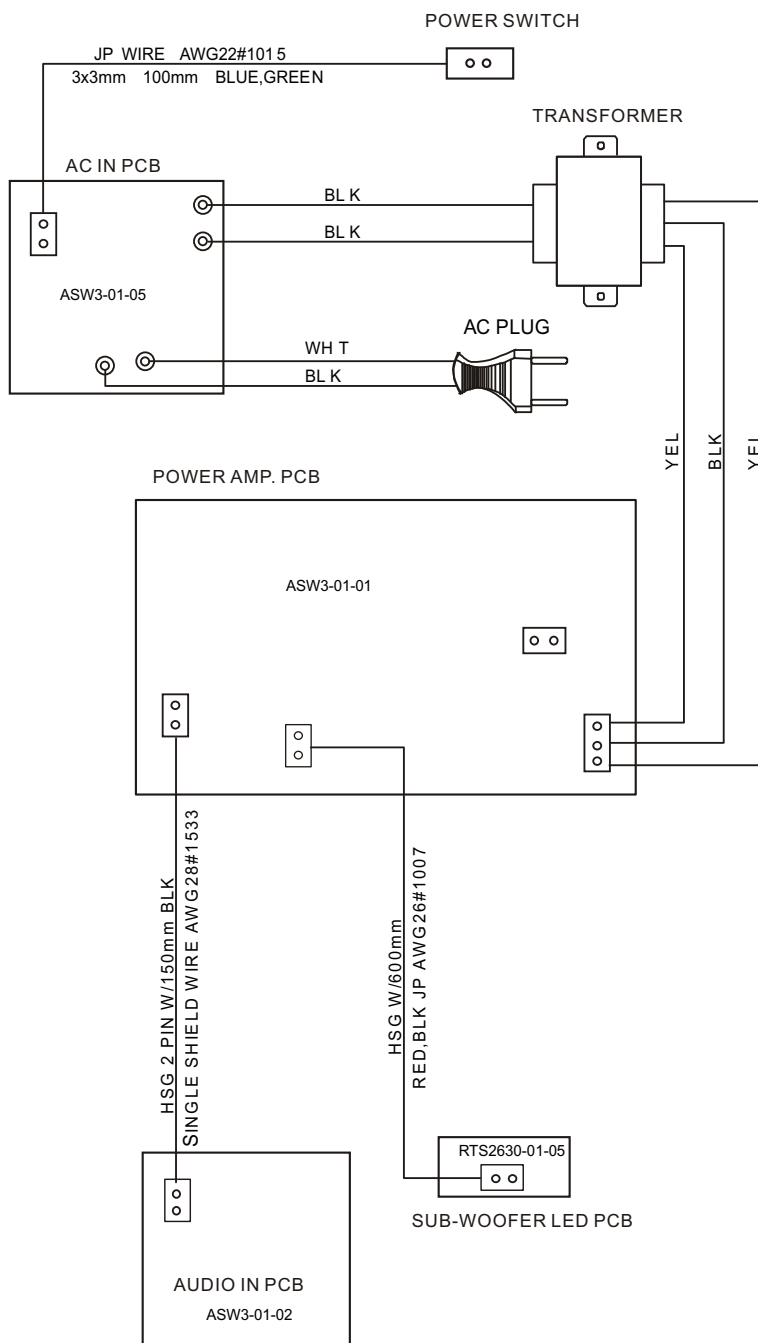
6 WIRING DIAGRAM

MAIN SECTION



PL-D100V

SUB-WOOFER SECTION



7 INCLUDED ACCESSORIES**INCLUDED ACCESSORIES**

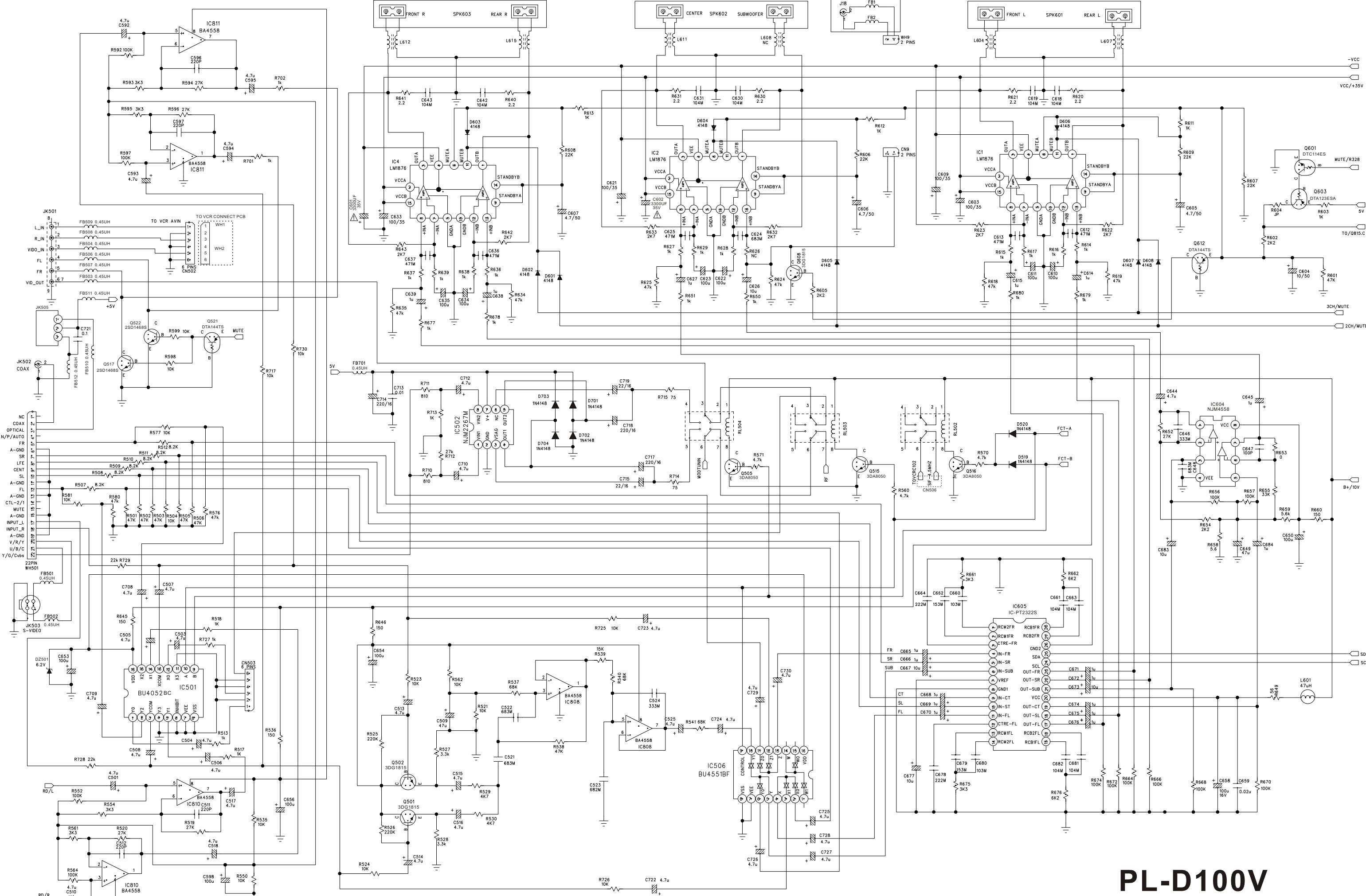
REF. NO	PARTS NO.	DESCRIPTION	REMARKS
	810-0000W-910	WARRANTY CARD	
	811-263091-010	INSTRUCTION BOOK	
	043-R15454-011	REMOTE CONTROL- RC54-54	
	122-004220-151	AV CABLE 1.5M COAXIAL	
	130-615004-001	BATTERY #GP15G 1.5V(AA) SIZE	
	132-020388-882	AM LOOP ANT	
	132-030001-002	FM DIPOLE WIRE	

PL-D100V

TEAC

TEAC CORPORATION	3-7-3 Nakacho, Musashino-shi, Tokyo 180-8550, Japan Phone:(0422)52-5081
TEAC AMERICA, INC.	7733 Telegraph Road, Montebello, California 90640 Phone: (323)726-0303
TEAC CANADA LTD.	5939 Wallace Street, Mississauga, Ontario L4Z 1Z8, Canada Phone: (905)-890-8008
TEAC MEXICO, S.A.De C.V.	Campesinos 184,Col. Granjas Esmeralda, 09810, Mexico Phone: (525)-581-5500
TEAC UK LIMITED	5 Marlin House, Croxley Business Park, Watford, Hertfordshire, WD18 8TE, U.K. Phone: 01923-819699
TEAC DEUTSCHLAND GmbH	Bahnstrasse 12, 65205 Wiesbaden-Erbenheim, Germany Phone:0611-71580
TEAC FRANCE S.A.	17, Rue Alexis-de-Tocqueville, CE 005 92182 Antony Cedex, France Phone:(1)42.37.01.02
TEAC NEDERLAND BV	Oeverkruid 15,NL-4941 W Raamsdonksveer, Nederland Phone:0162-510210
TEAC BELGIUM NV/SA.	c/o TEAC NEDERLAND BV, Oeverkruid 15, NL-4941 W Raamsdonksveer, Nederland Phone:+31-162-510860
TEAC ITALIANA S.p.A.	Via C, Cantu 11, 20092 Cinisello Balsamo, Milano, Italy Phone:02-66010550
TEAC AUSTRALIA PTY., LTD.	280 William Street, Melbourne, VIC 3000, Australia Phone:(03)9672-2400
A.B.N.	80 005 408 462

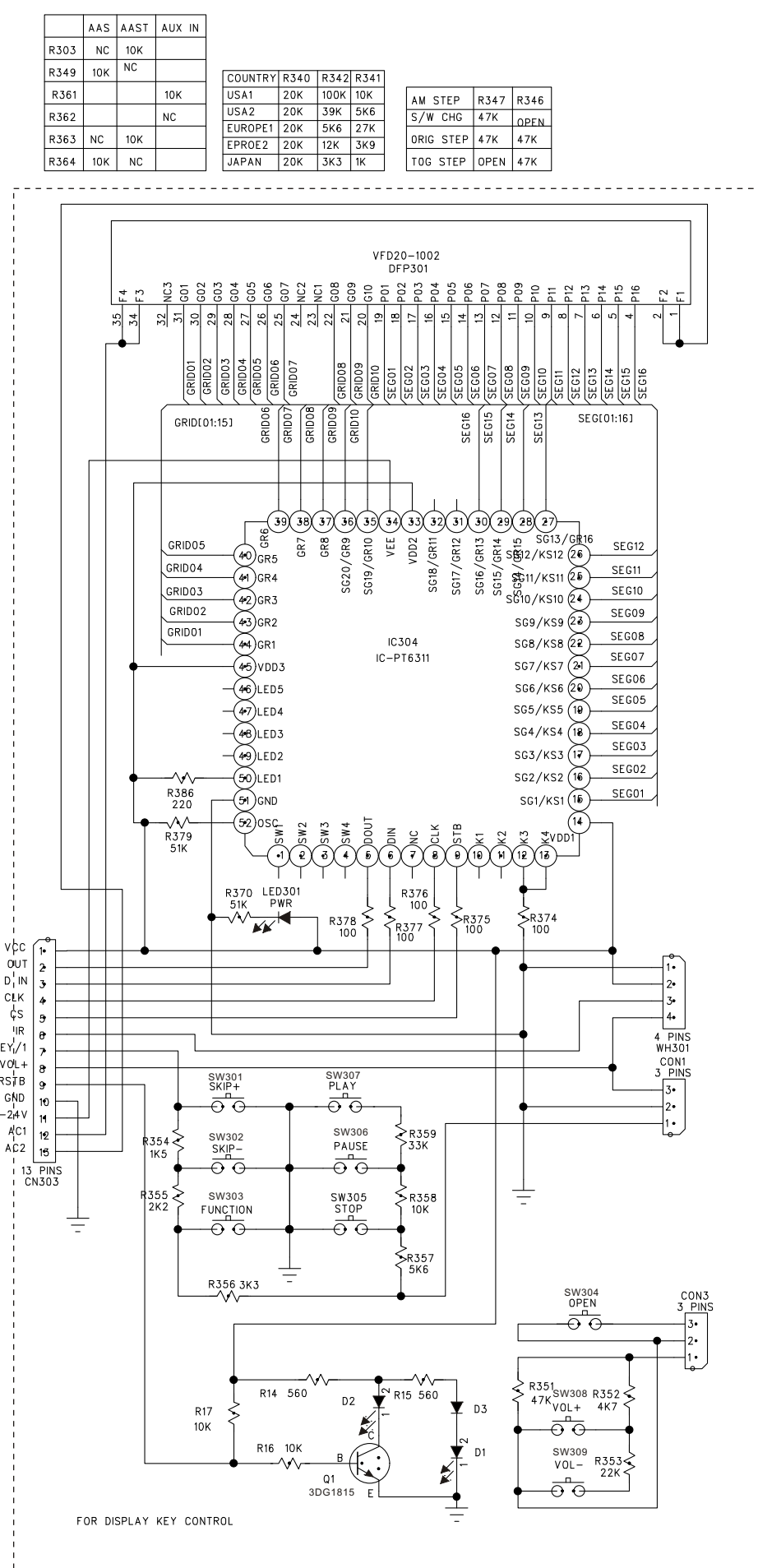
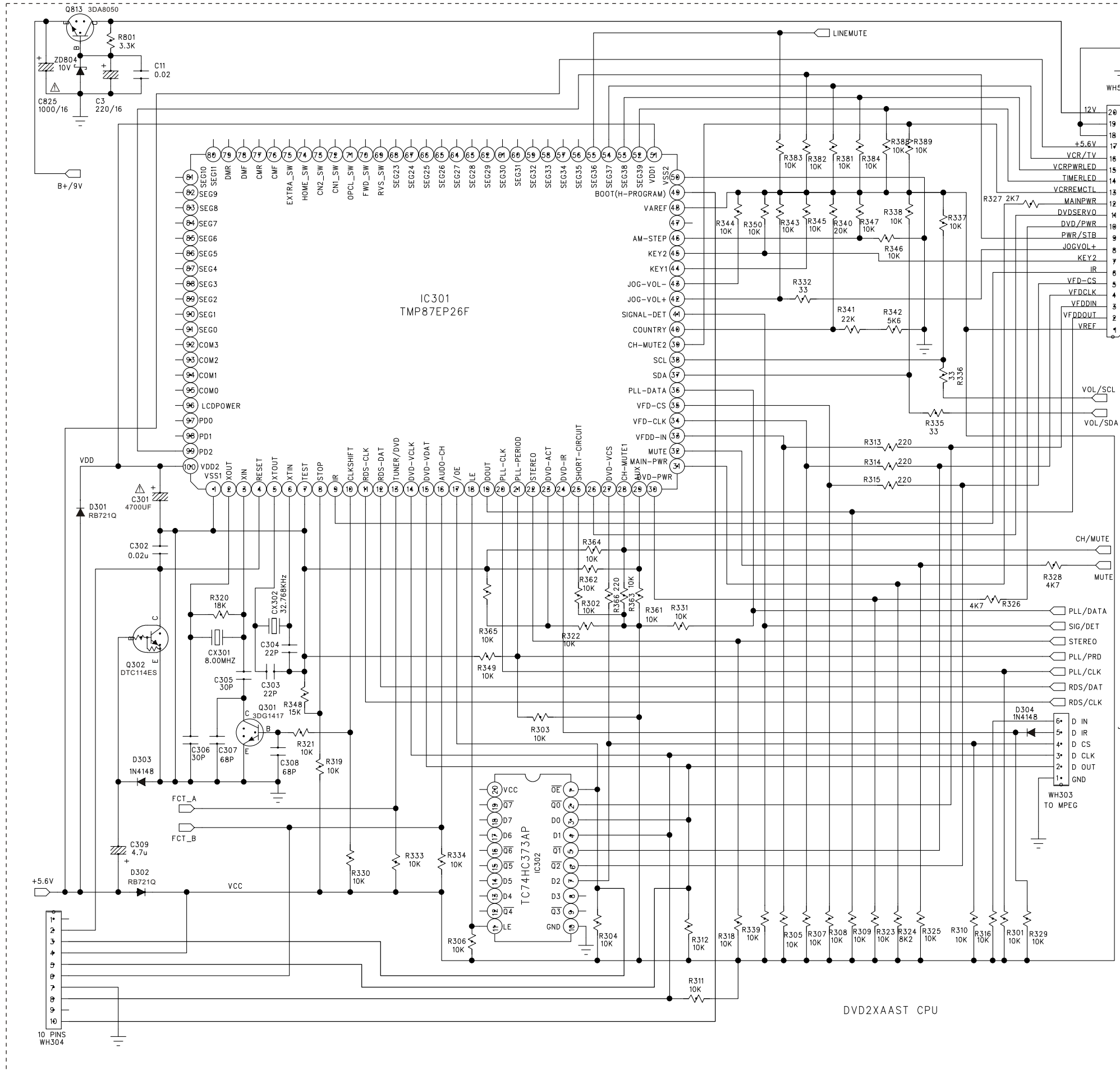
POWER AMPLIFIER SECTION



PL-D100V

VCR/DVD HOME THEATER SYSTEM

CPU & DISPLAY SECTION



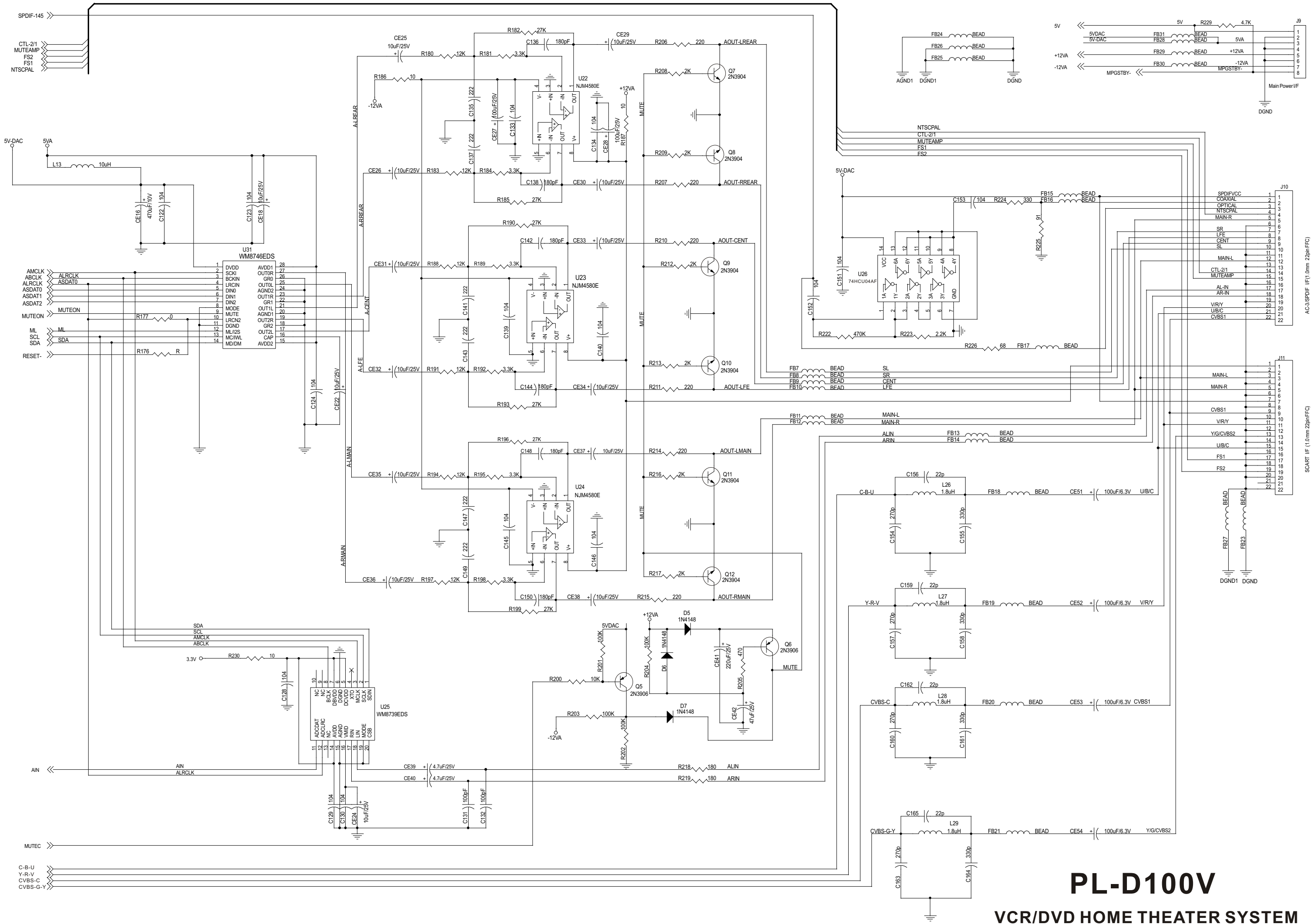
	AAS	AAS	AUX IN
R303	NC	10K	
R349	10K	NC	
R361			10K
R362			NC
R363	NC	10K	
R364	10K	NC	

COUNTRY	R340	R342	R341
USA1	20K	100K	10K
USA2	20K	39K	5K6
EUROPE1	20K	5K6	27K
EPROE2	20K	12K	3K9
JAPAN	20K	3K3	1K

AM STEP	R347	R346
S/W CHG	47K	OPEN
ORIG STEP	47K	47K
TOG STEP	OPEN	47K

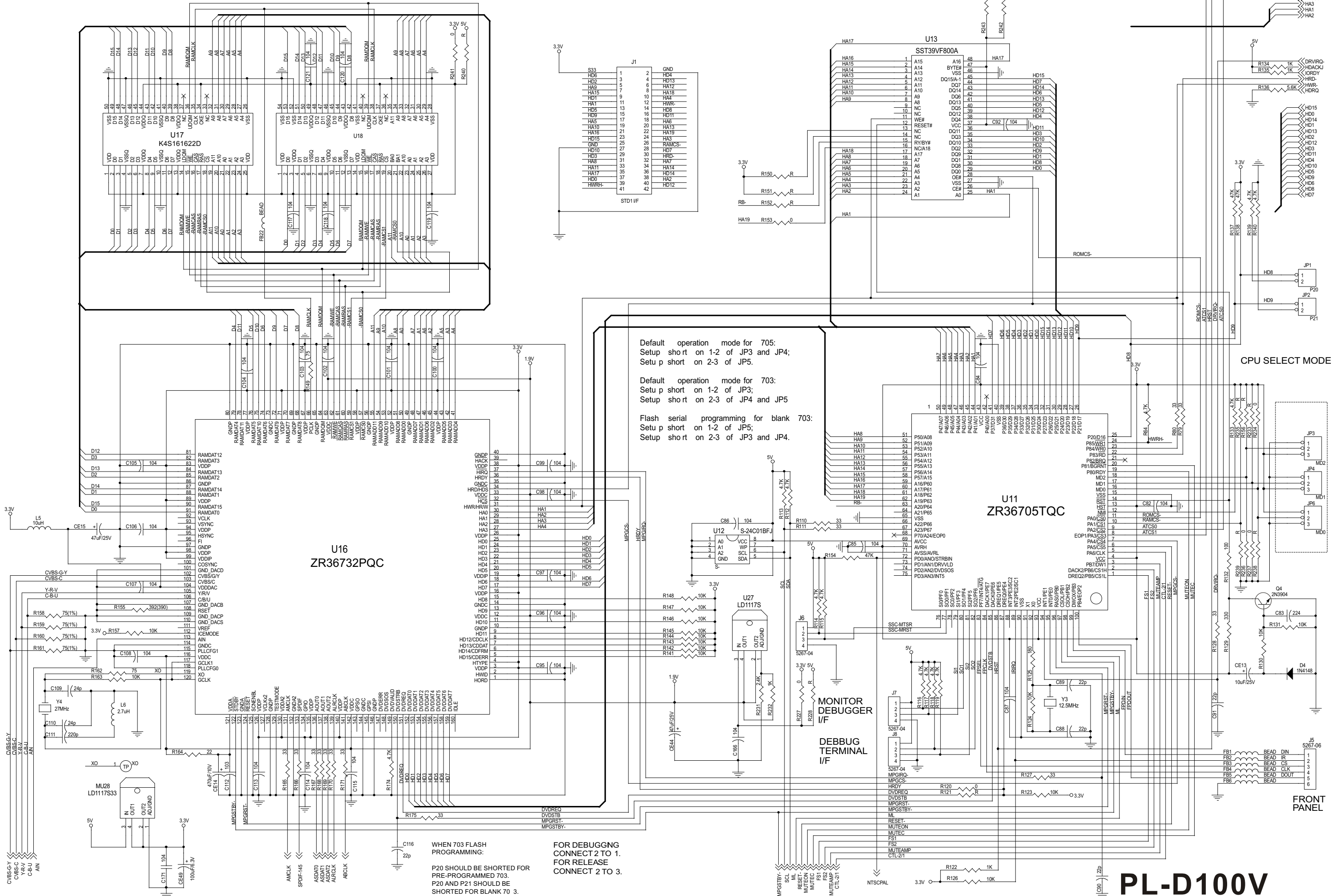
PL-D100V
VCR/DVD HOME THEATER SYSTEM

MPEG OUTPUT SECTION



PL-D100V
VCR/DVD HOME THEATER SYSTEM

MPEG DECODER SECTION



Default operation mode for 705:
 Setup short on 1-2 of JP3 and JP4;
 Setup short on 2-3 of JP5.

Default operation mode for 703:
 Setup short on 1-2 of JP3;
 Setup short on 2-3 of JP4 and JP5

Flash serial programming for blank 703:
 Setup short on 1-2 of JP5;
 Setup short on 2-3 of JP3 and JP4.

WHEN 703 FLASH PROGRAMMING:
 P20 SHOULD BE SHORTED FOR PRE-PROGRAMMED 703.
 P20 AND P21 SHOULD BE SHORTED FOR BLANK 70 3.

FOR DEBUGGING CONNECT 2 TO 1.
 FOR RELEASE CONNECT 2 TO 3.

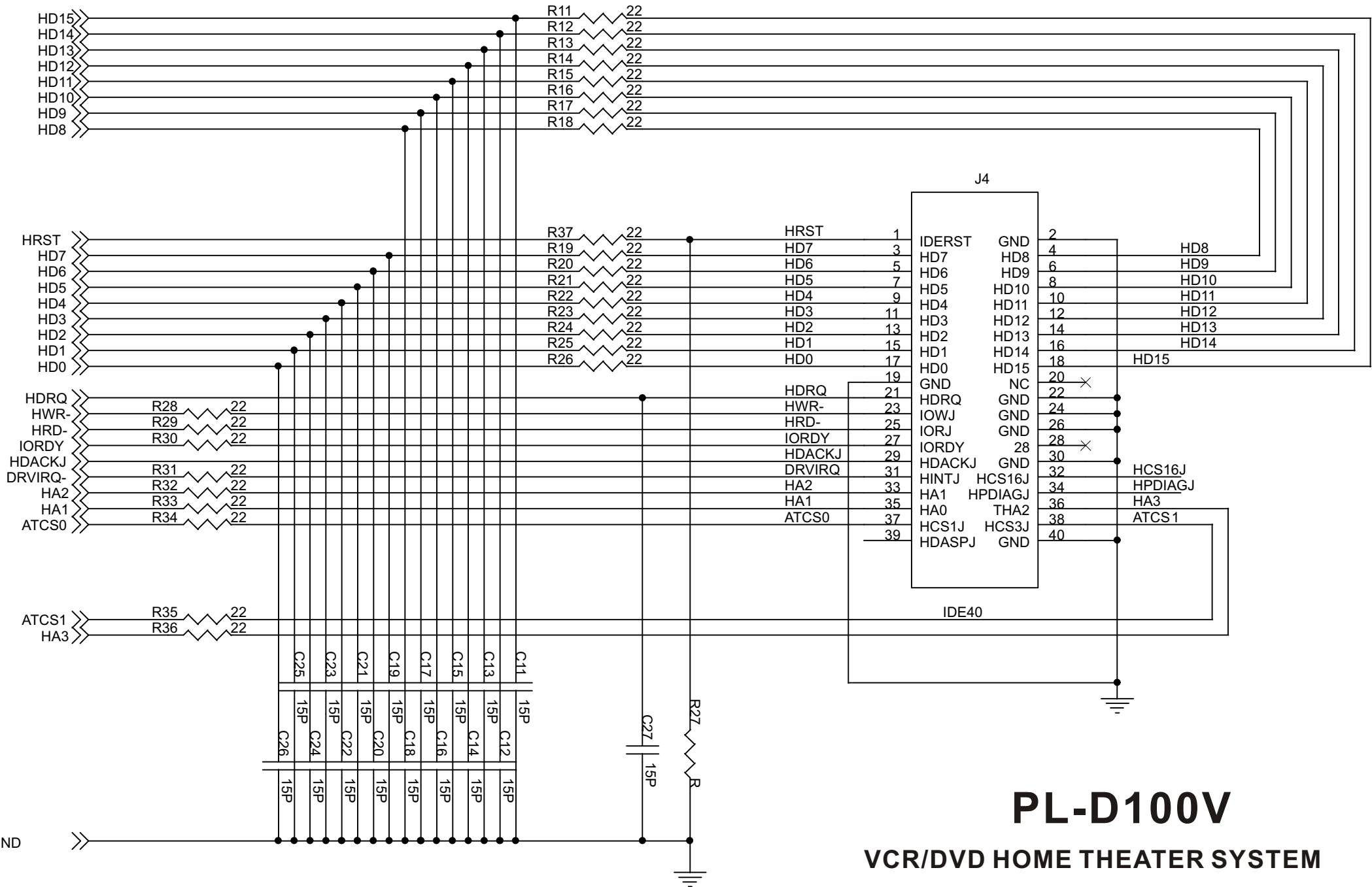
PL-D100V
 VCR/DVD HOME THEATER SYSTEM

FRONT PANEL

CPU SELECT MODE

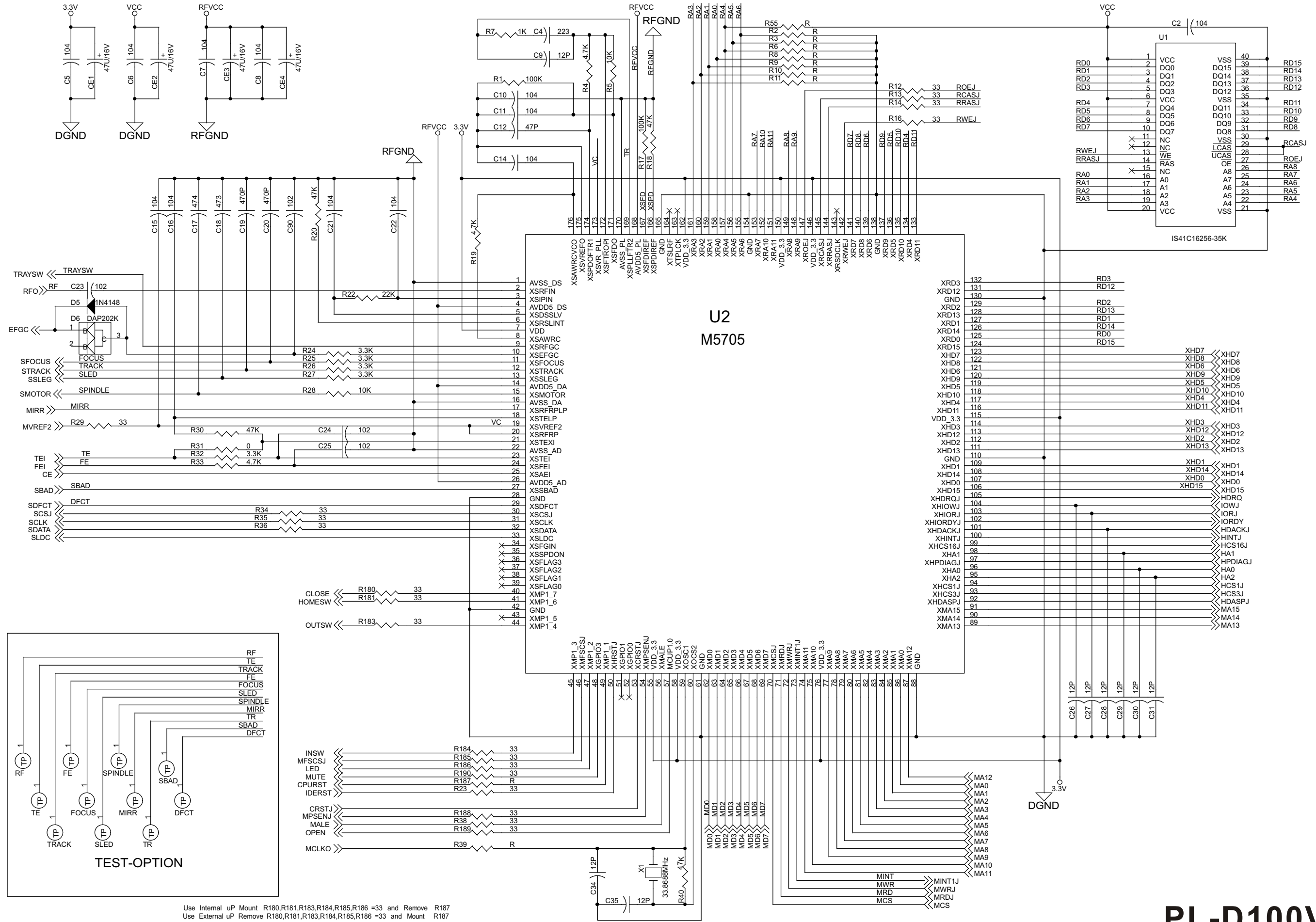
MONITOR DEBUGGER I/F
 DEBUG TERMINAL I/F

MPEG ATAP SECTION



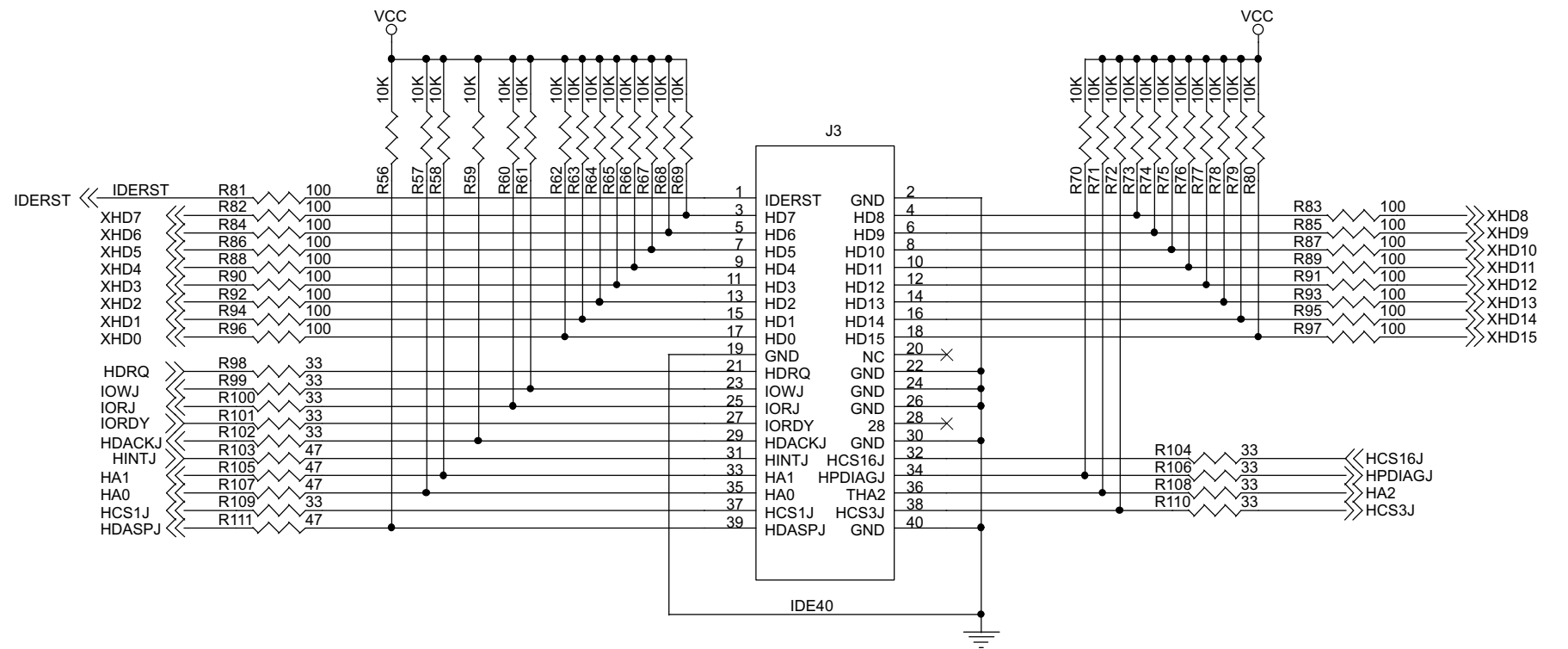
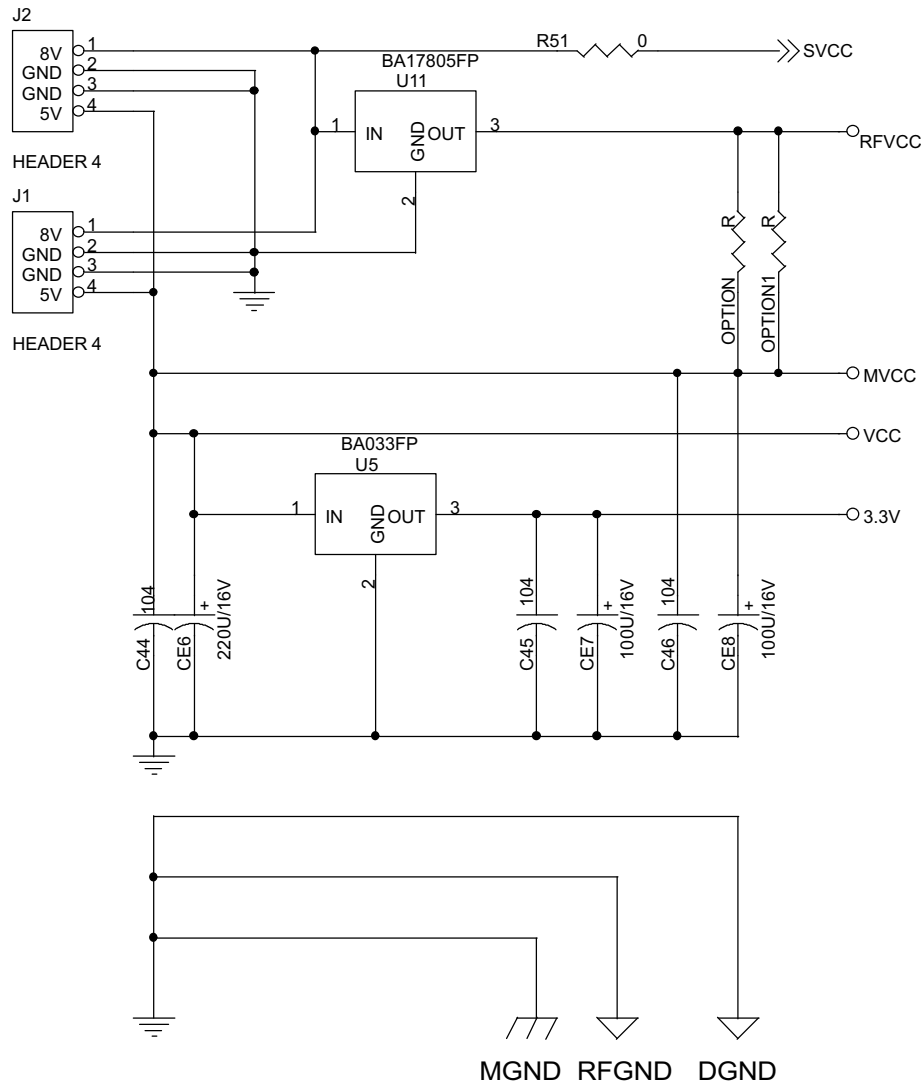
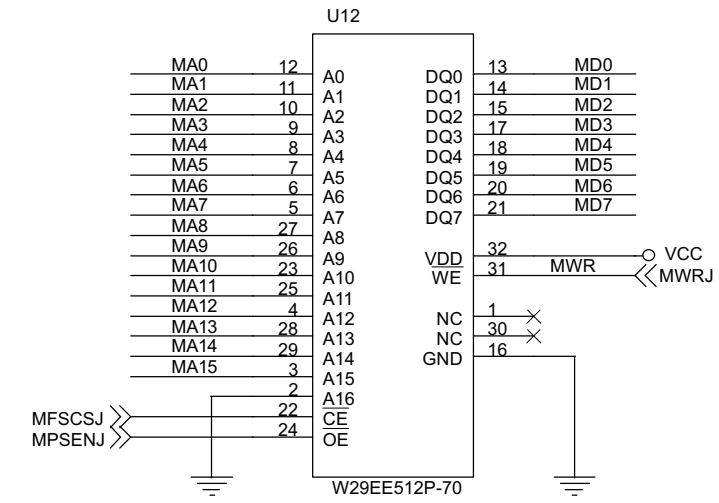
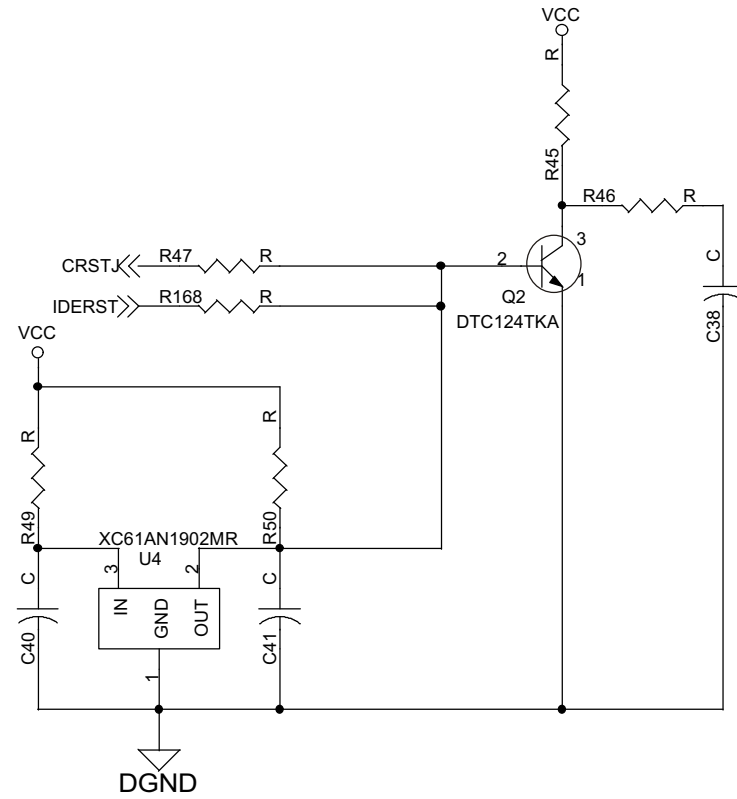
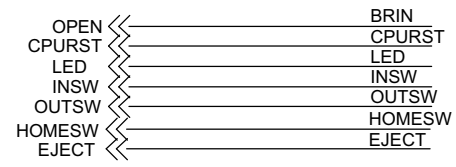
PL-D100V
VCR/DVD HOME THEATER SYSTEM

SERVO DECODER SECTION

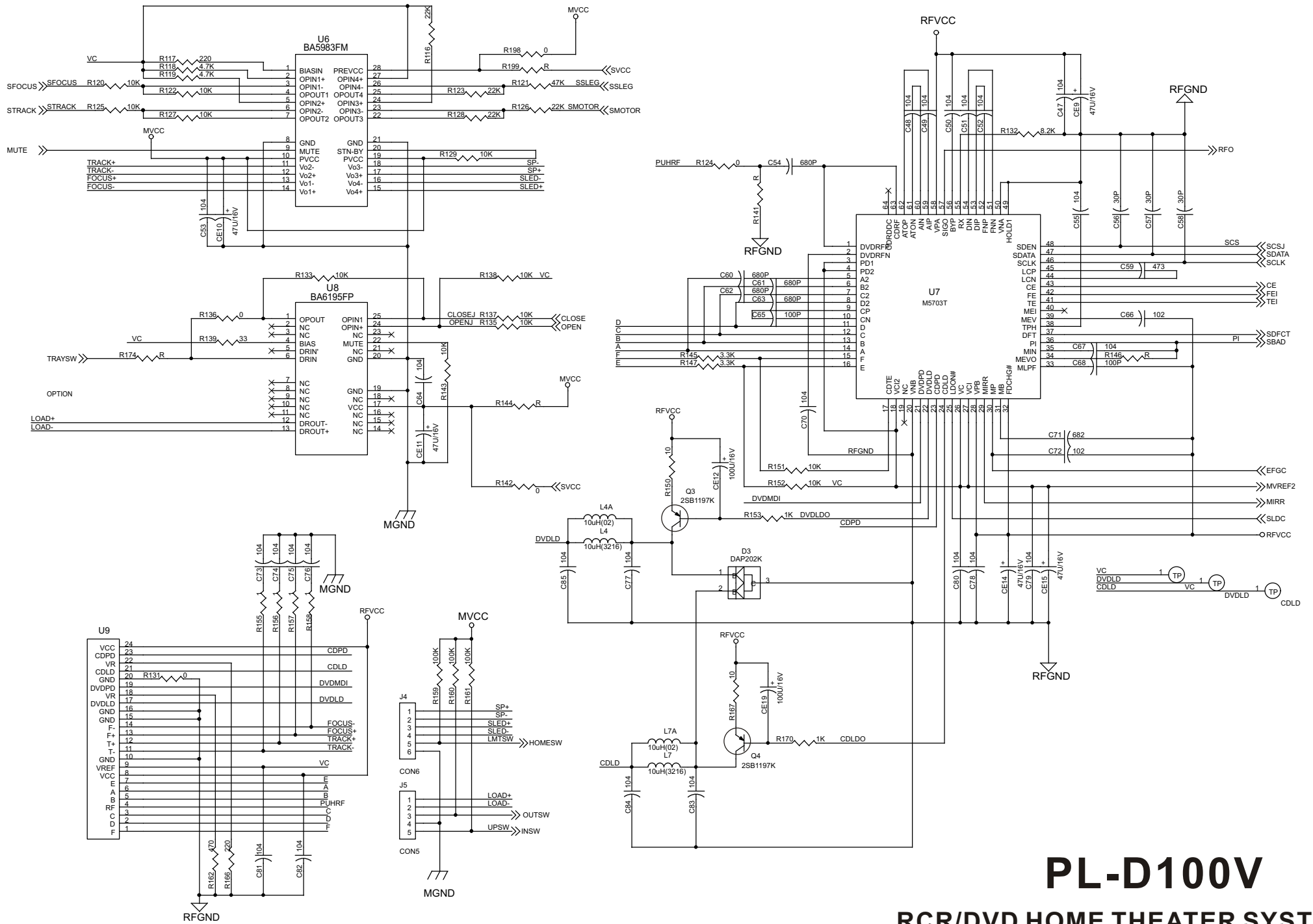


Use Internal uP Mount R180,R181,R183,R184,R185,R186 =33 and Remove R187
 Use External uP Remove R180,R181,R183,R184,R185,R186 =33 and Mount R187

SERVO MICOM SECTION

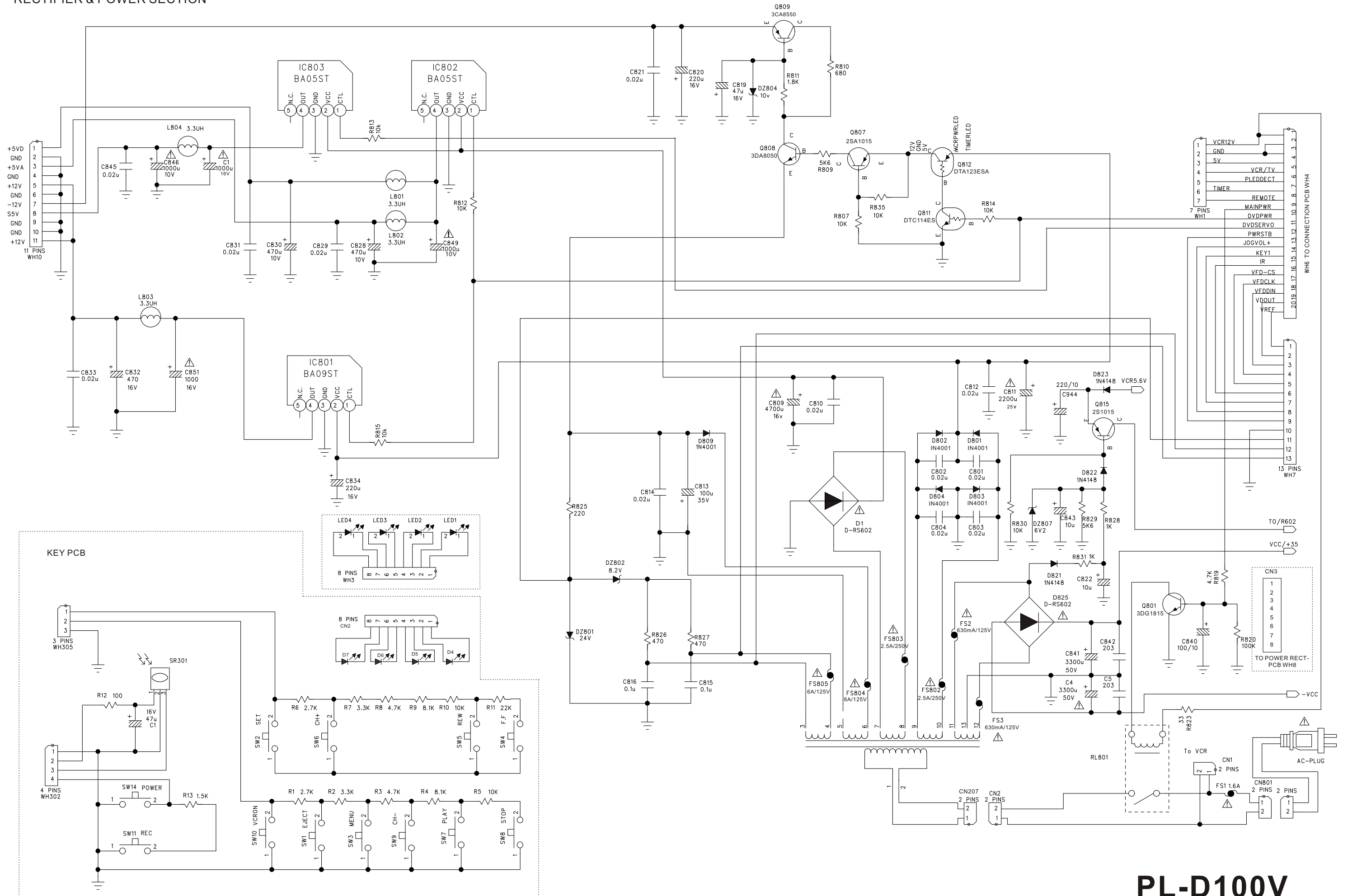


SERVO PREAMP & DRIVER SECTION



PL-D100V
RCR/DVD HOME THEATER SYSTEM

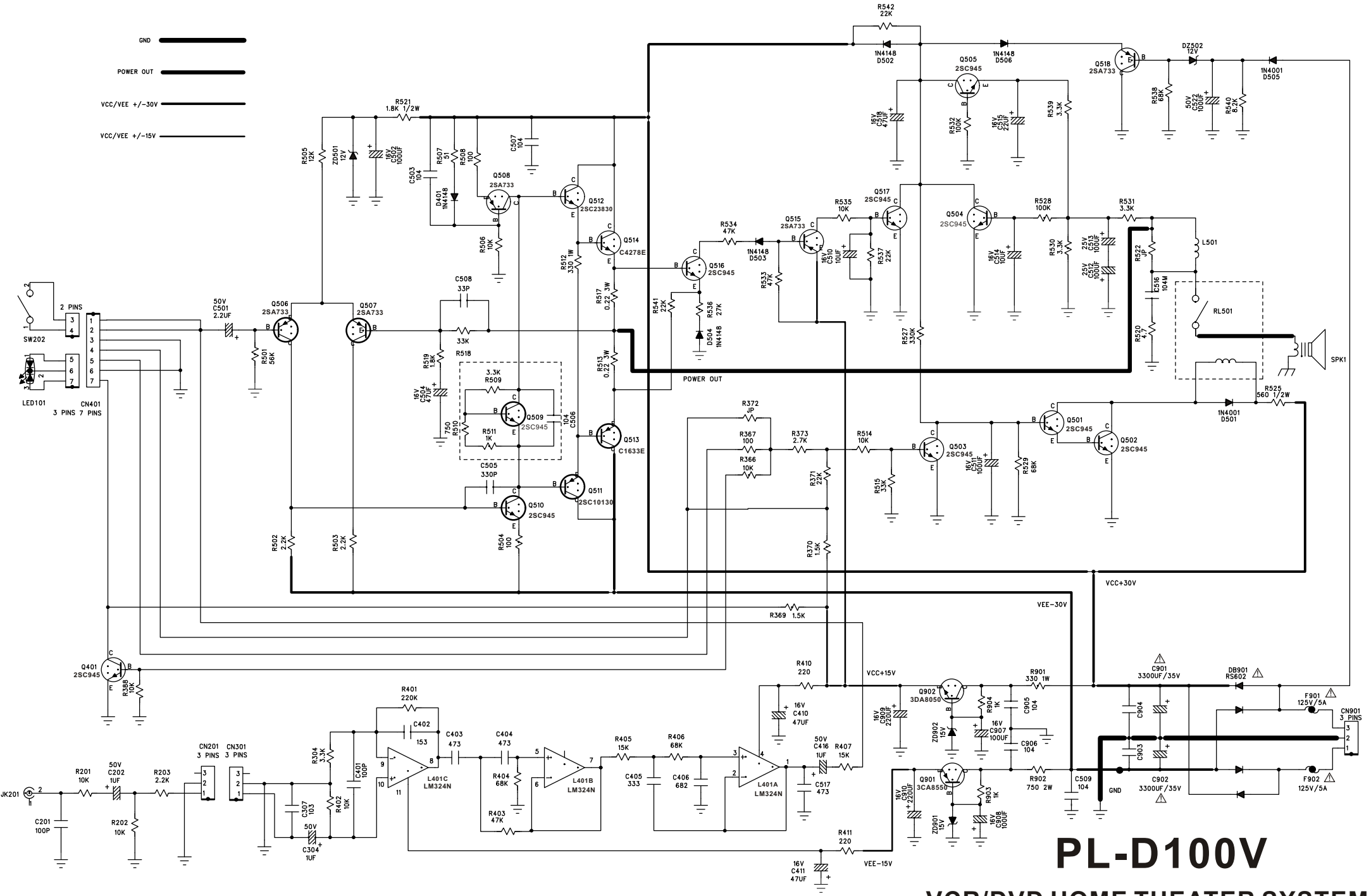
RECTIFIER & POWER SECTION



PL-D100V

VCR/DVD HOME THEATER SYSTEM

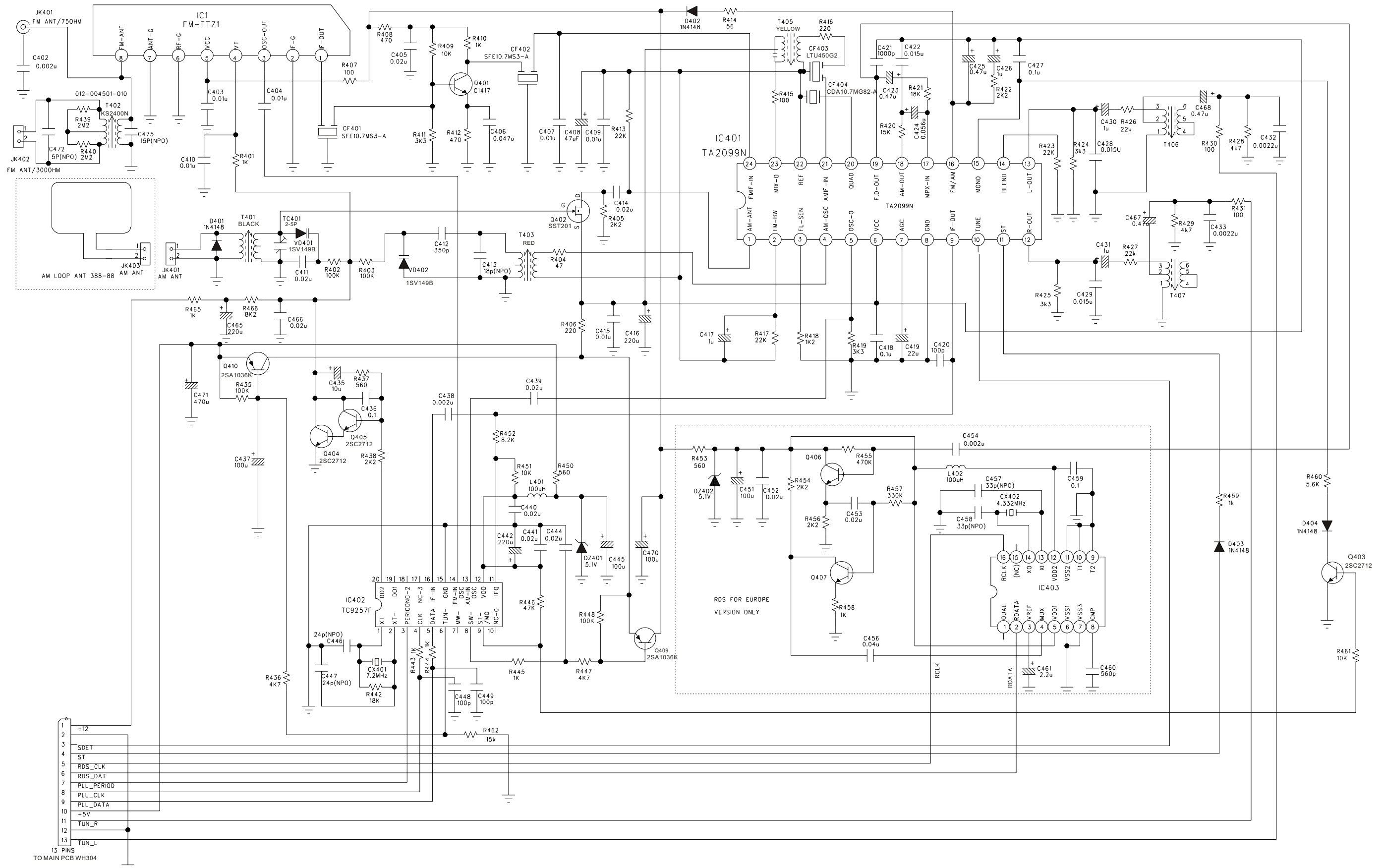
SUB-WOOFER SECTION



PL-D100V

VCR/DVD HOME THEATER SYSTEM

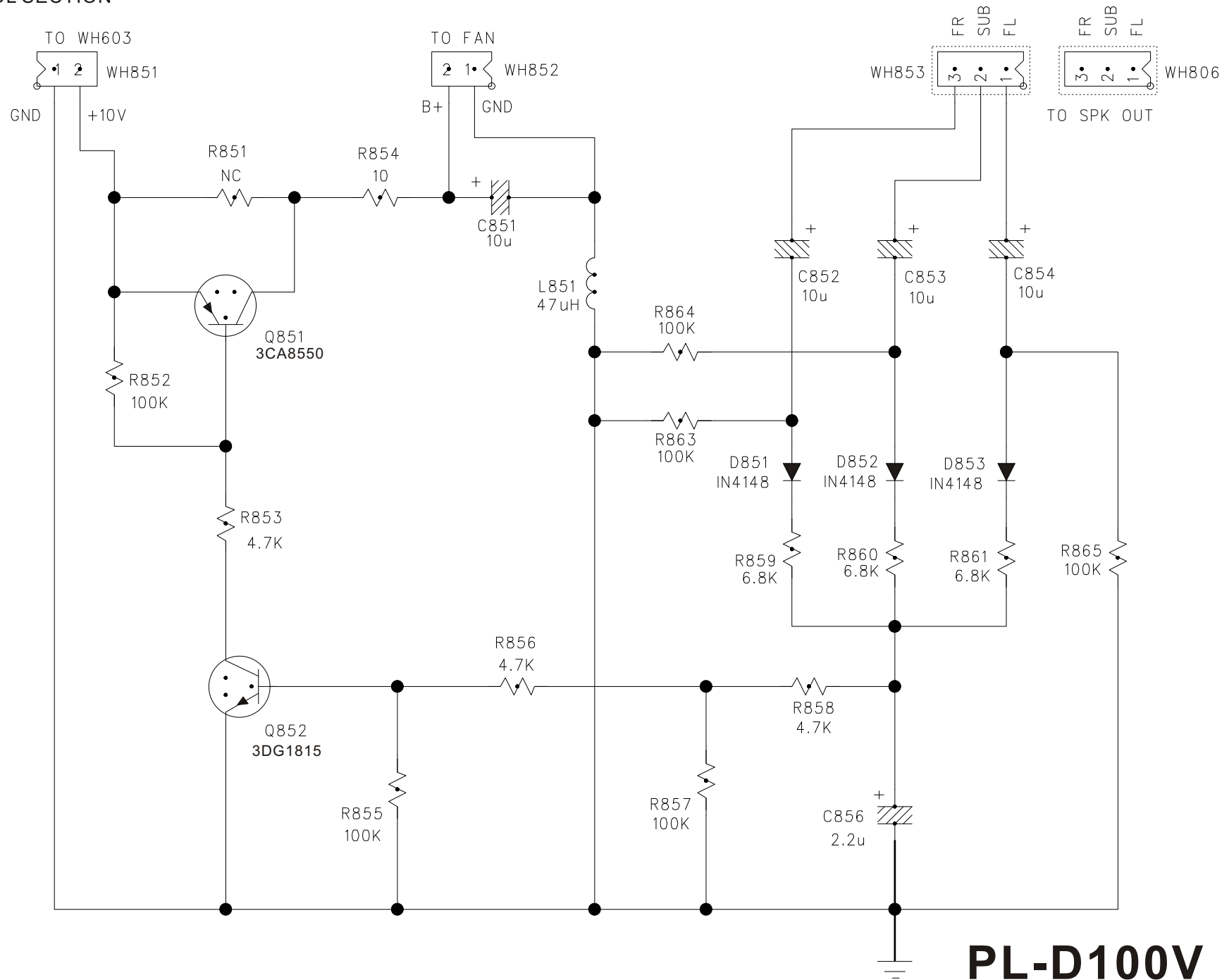
TUNER SECTION



PL-D100V

VCR/DVD HOME THEATER SYSTEM

FAN CONTROL SECTION



PL-D100V
VCR/DVD HOME THEATER SYSTEM